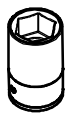
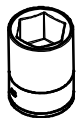


MITSUBISHI L200 2020

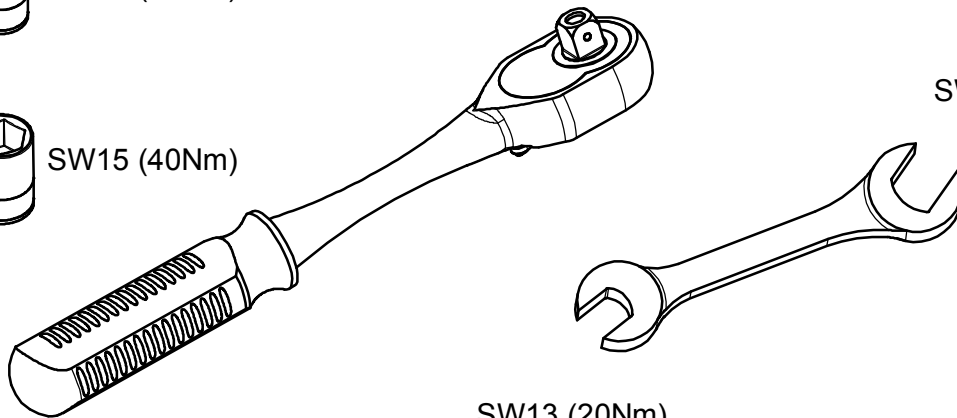
KOD / CODE : 4915OKJ101F



SW13 (20Nm)

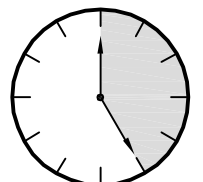


SW15 (40Nm)



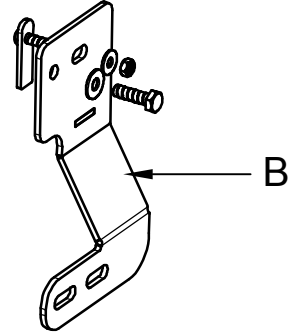
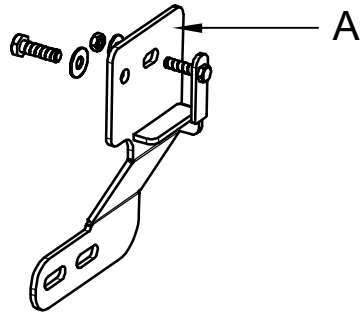
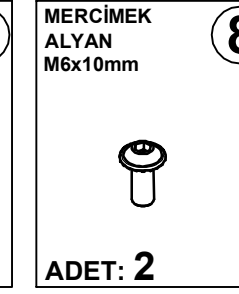
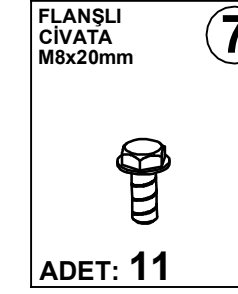
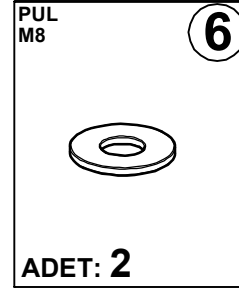
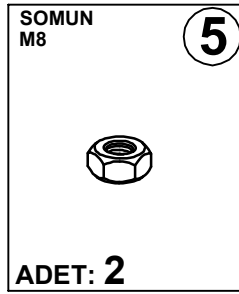
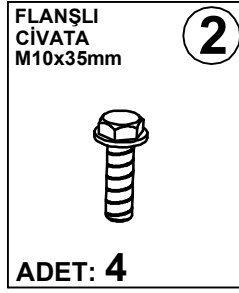
SW15 (40Nm)

SW13 (20Nm)



25 DAKİKA

MONTAJ SETİ / INSTALLATION SET



BRAKETLER / BRACKETS

A. 4915CBT R F / SAĞ ÖN BRAKET / RIGHT FRONT BRACKET

B. 4915CBT L F / SOL ÖN BRAKET / LEFT FRONT BRACKET



MONTAJ ŞEMASI / INSTALLATION SCHEME

