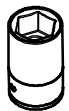


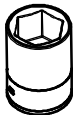
FIORINO 2008>

BIPPER 2008>

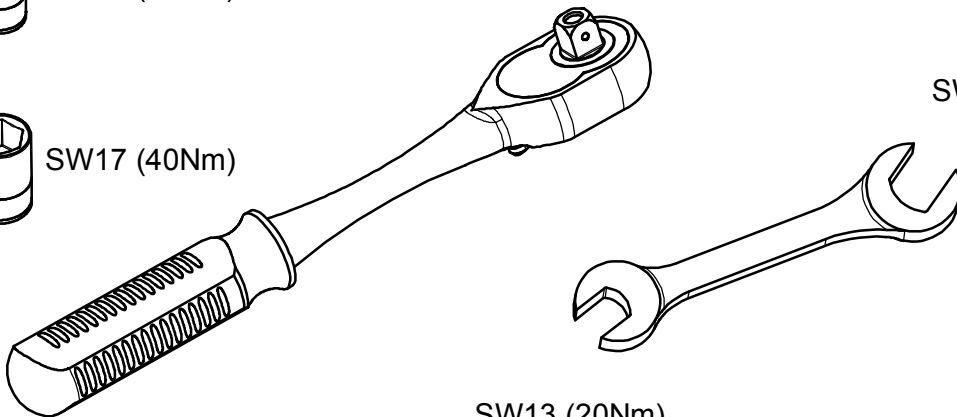
NEMO 2008>



SW13 (20Nm)

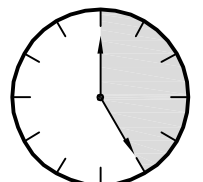


SW17 (40Nm)



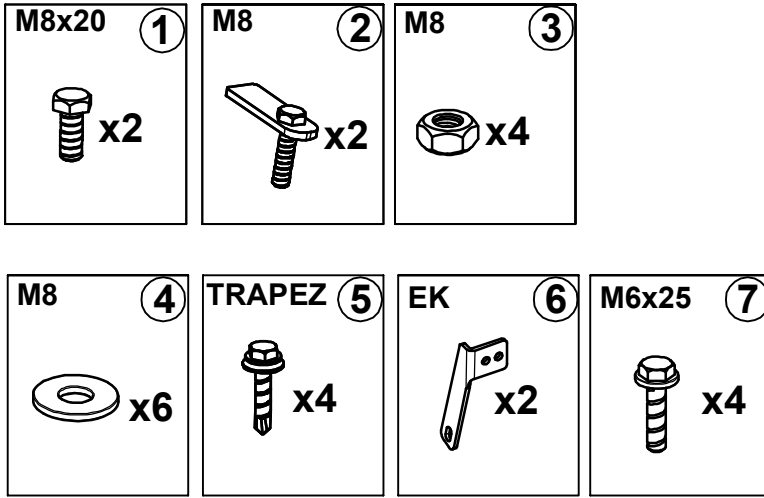
SW17 (40Nm)

SW13 (20Nm)

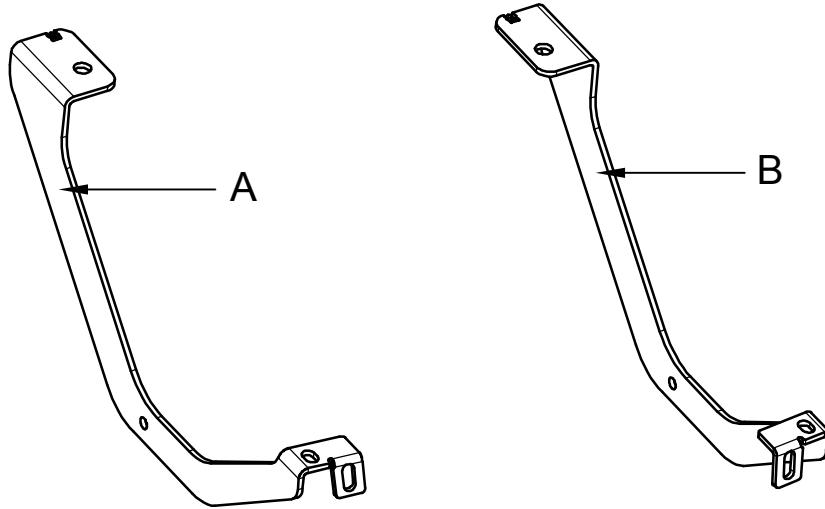


25 DAKİKA

MONTAJ SETİ / INSTALLATION SET



1. M8x20 ANAHTAR BAŞLI CİVATA / M8x20 KEY HEAD BOLT
2. M8 LAMALI CİVATA / M8 MOUNTING PLATE
3. M8 SOMUN / M8 NUT
4. M8 PUL / M8 WASHER
5. TRAPEZ / TRAPEZE
6. EK PARÇA / ADDITIONAL
7. M6x25 CİVATA / M6x25 BOLT



BRACKETLER / BRACKETS

A. 2521MDA L R / SOL ARKA BRAKET / LEFT REAR BRACKET

B. 2521MDA R R / SAĞ ARKA BRAKET / RIGHT REAR BRACKET



Fig. 1



ARAÇ ÜZERİNDEKİ PLASTİK KAPAĞI SÖKÜNÜZ
PLEASE REMOVE THE STOPPER THAT ALREADY
ATTACHED ON THE VEHICLE



Fig. 5



ARAÇ ÜZERİNDEKİ PLASTİK KAPAĞI SÖKÜNÜZ
PLEASE REMOVE THE STOPPER THAT ALREADY
ATTACHED ON THE VEHICLE



Fig. 2



2 NUMARALI PARÇAYI YERİNE TAKINIZ
PLEASE ATTACH THE PART (PART NO 2)
TO THE PLACE SHOWN ABOVE



Fig.



2 NUMARALI PARÇAYI YERİNE TAKINIZ
PLEASE ATTACH THE PART (PART NO 2)
TO THE PLACE SHOWN ABOVE



Fig. 3



6 NUMARALI PARÇAYI YERİNE TAKINIZ
PLEASE ATTACH THE PART (PART NO 6)
TO THE PLACE SHOWN ABOVE



Fig. 7



6 NUMARALI PARÇAYI YERİNE TAKINIZ
PLEASE ATTACH THE PART (PART NO 6)
TO THE PLACE SHOWN ABOVE



Fig. 4



BRAKETİ CİVATALAR İLE MONTAJLAYINIZ
INSTALL THE BRACKET WITH BOLTS



Fig. 8



BRAKETİ CİVATALAR İLE MONTAJLAYINIZ
INSTALL THE BRACKET WITH BOLTS



MONTAJ ŞEMASI / INSTALLATION SCHEME

