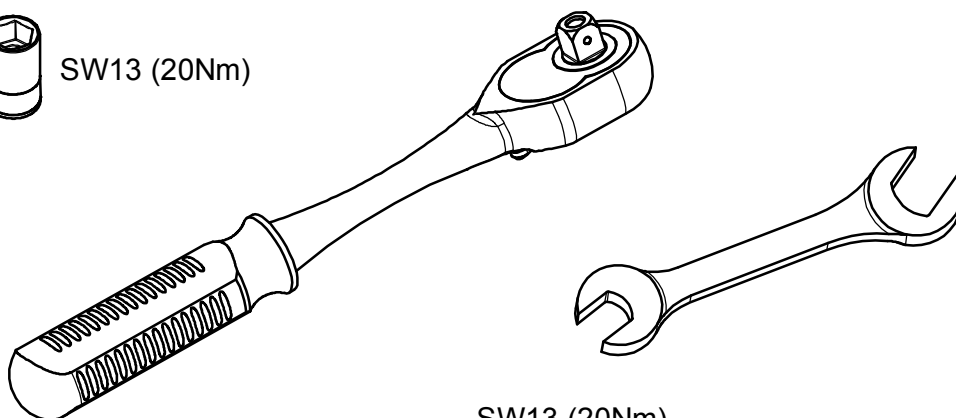


# FORD CUSTOM 2012>

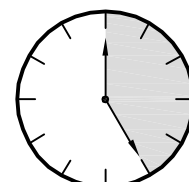
KOD / CODE : 2624MSY111



SW13 (20Nm)

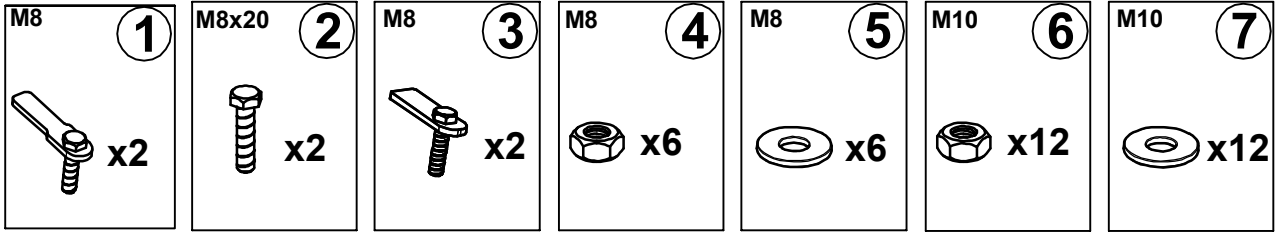


SW13 (20Nm)

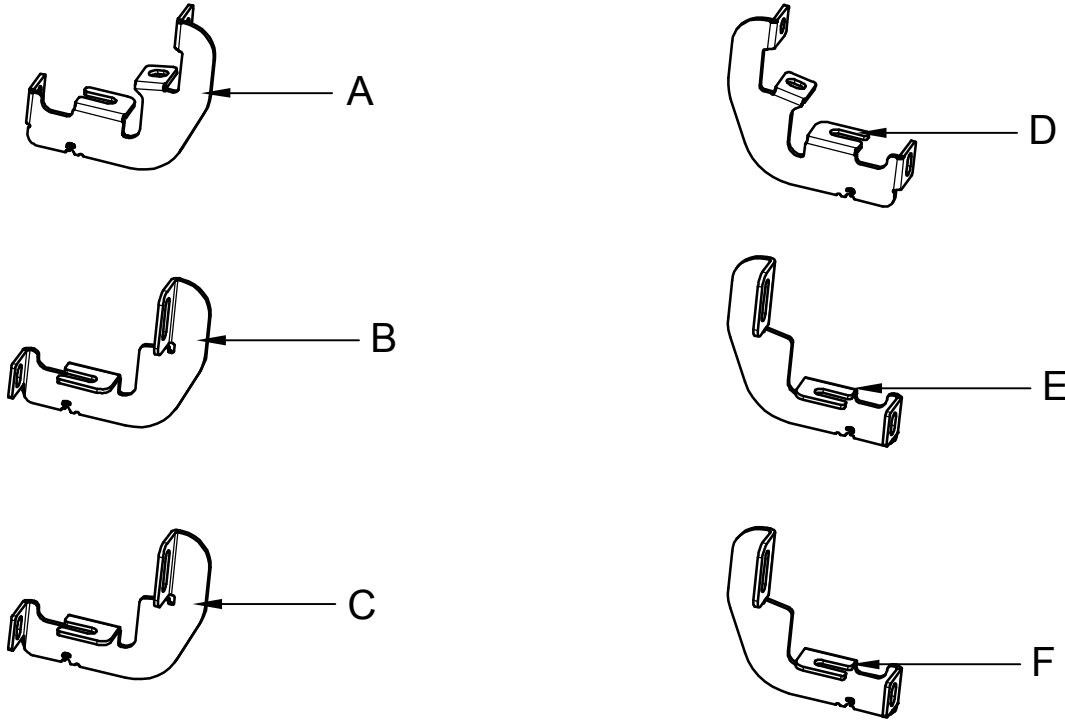


25 DAKİKA

# MONTAJ SETİ / INSTALLATION SET



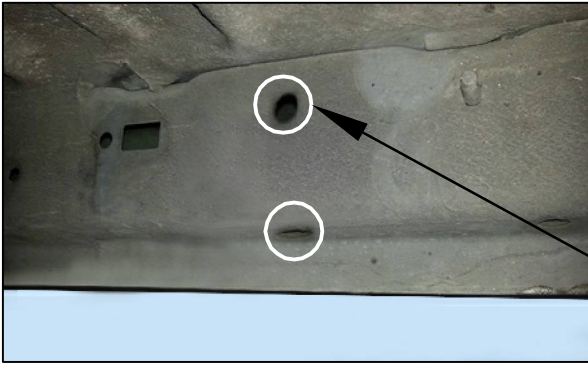
1. M8 LAMALI CİVATA / M10 MOUNTING PLATE
2. M8x35 ANAHTAR BAŞLI CİVATA / M8x35 KEY HEAD BOLT
3. M8 LAMALI CİVATA / M10 MOUNTING PLATE
4. M8 SOMUN / M8 NUT
5. M8 PUL / M8 WASHER
6. M10 SOMUN / M10 NUT
7. M10 PUL / M10 WASHER



## BRAKETLER / BRACKETS

- A. 2624MSY R F / SAĞ ÖN BRAKET / RIGHT FRONT BRACKET
- B. 2624MSY R M / SAĞ ORTA BRAKET / RIGHT MIDDLE BRACKET
- C. 2624MSY R R / SAĞ ARKA BRAKET / RIGHT REAR BRACKET
- D. 2624MSY L F / SOL ÖN BRAKET / LEFT FRONT BRACKET
- E. 2624MSY L M / SOL ORTA BRAKET / LEFT MIDDLE BRACKET
- F. 2624MSY L R / SOL ARKA BRAKET / LEFT REAR BRACKET

Fig. 1



LF

ARAÇ ÜZERİNDEKİ PLASTİK KAPAĞI SÖKÜNÜZ  
PLEASE REMOVE THE STOPPER THAT ALREADY  
ATTACHED ON THE VEHICLE

Fig. 4



2



LM

BRAKETİ CİVATALAR İLE MONTAJLAYINIZ  
INSTALL THE BRACKET WITH BOLTS

Fig. 2



2



LF

BRAKETİ CİVATALAR İLE MONTAJLAYINIZ  
INSTALL THE BRACKET WITH BOLTS

Fig. 5



LR

ARAÇ ÜZERİNDEKİ PLASTİK KAPAĞI SÖKÜNÜZ  
PLEASE REMOVE THE STOPPER THAT ALREADY  
ATTACHED ON THE VEHICLE

Fig. 3



LM

ARAÇ ÜZERİNDEKİ PLASTİK KAPAĞI SÖKÜNÜZ  
PLEASE REMOVE THE STOPPER THAT ALREADY  
ATTACHED ON THE VEHICLE

Fig. 6



1



LR

BRAKETİ CİVATALAR İLE MONTAJLAYINIZ  
INSTALL THE BRACKET WITH BOLTS



## MONTAJ ŞEMASI / INSTALLATION SCHEME

