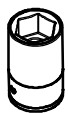
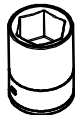


DACIA QASHQAI 2016>

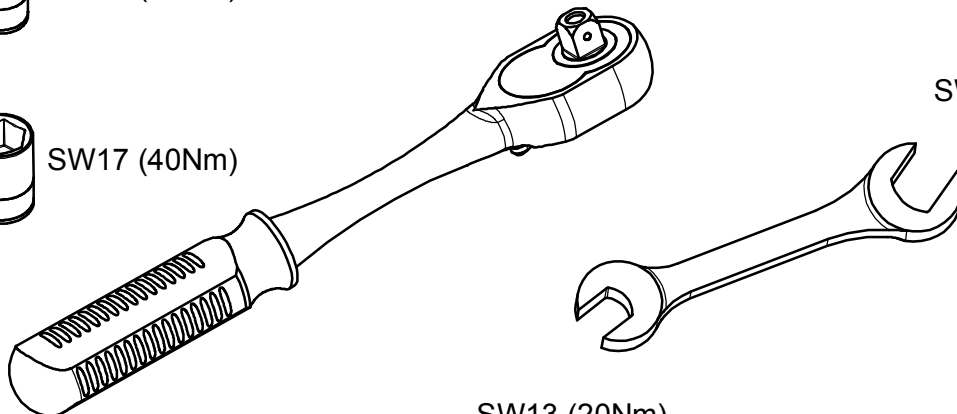
KOD / CODE : 5023AKP060



SW13 (20Nm)

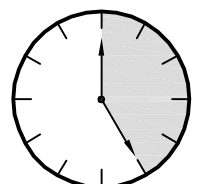


SW17 (40Nm)



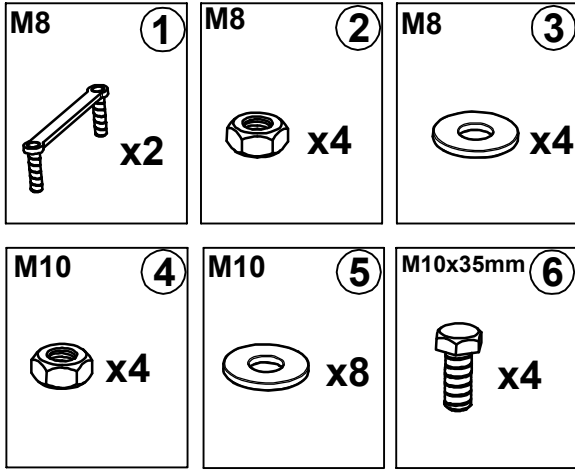
SW17 (40Nm)

SW13 (20Nm)

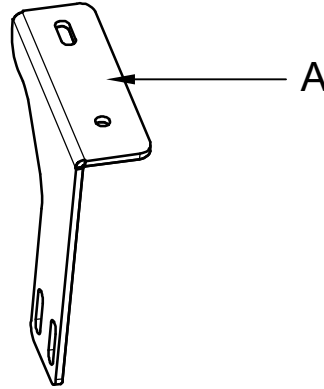
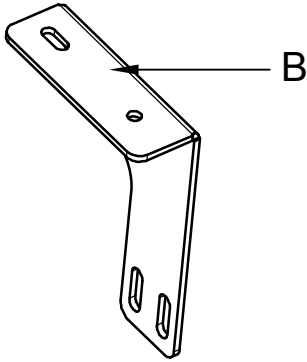


25 DAKİKA

MONTAJ SETİ / INSTALLATION SET



1. M8 LAMALI CİVATA / M8 MOUNTING PLATE
2. M8 SOMUN / M8 NUT
3. M8 PUL / M8 WASHER
4. M10 SOMUN / M10 NUT
5. M10 PUL / M10 WASHER
6. M10x35mm CİVATA / M10x35 BOLT



BRAKETLER / BRACKETS

- A. 5023AKP R R / SAĞ ARKA BRAKET / RIGHT REAR BRACKET
B. 5023AKP L R / SOL ARKA BRAKET / LEFT REAR BRACKET

Fig. 1



ARAÇ ÜZERİNDEKİ PLASTİK MUHAFAZAYI SÖKÜNÜZ

PLEASE REMOVE THE STOPPER THAT ALREADY ATTACHED ON THE VEHICLE

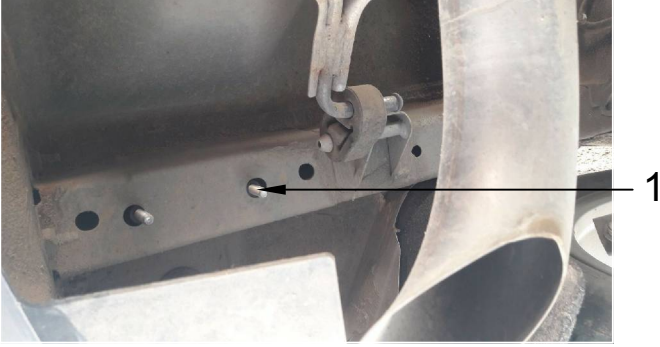
Fig. 5



ARAÇ ÜZERİNDEKİ PLASTİK MUHAFAZAYI SÖKÜNÜZ

PLEASE REMOVE THE STOPPER THAT ALREADY ATTACHED ON THE VEHICLE

Fig. 2



1 NUMARALI PARÇAYI YERİNE TAKINIZ

PLEASE ATTACH THE PART (PART NO 1) TO THE PLACE SHOWN ABOVE

Fig. 6



1 NUMARALI PARÇAYI YERİNE TAKINIZ

PLEASE ATTACH THE PART (PART NO 1) TO THE PLACE SHOWN ABOVE

Fig. 3



BRAKETİ CİVATALAR İLE MONTAJLAYINIZ

INSTALL THE BRACKET WITH BOLTS

Fig. 7



BRAKETİ CİVATALAR İLE MONTAJLAYINIZ

INSTALL THE BRACKET WITH BOLTS

Fig. 4



ÜRÜNÜ MONTAJLAYINIZ

PLEASE INSTALL THE PRODUCT

Fig. 8



ÜRÜNÜ MONTAJLAYINIZ

PLEASE INSTALL THE PRODUCT



MONTAJ ŐEMASI / INSTALLATION SCHEME

