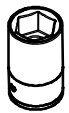


# MERCEDES X-CLASS 2016>

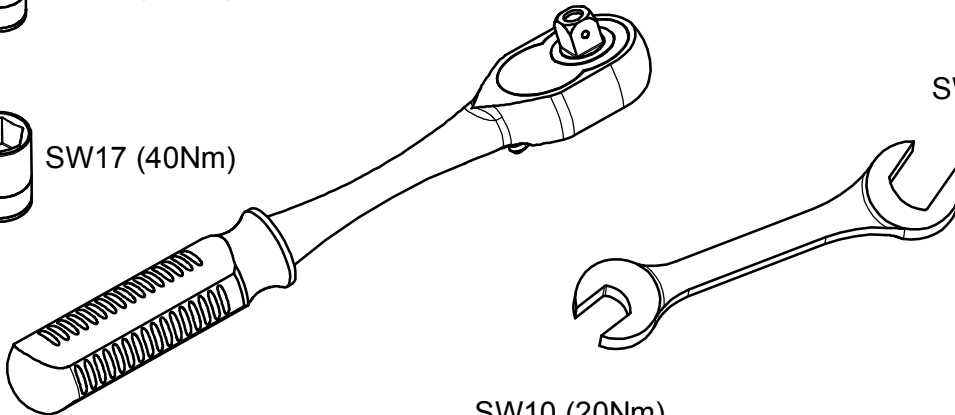
KOD / CODE : 4740ABA076



SW10 (20Nm)

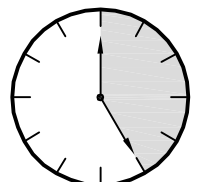


SW17 (40Nm)



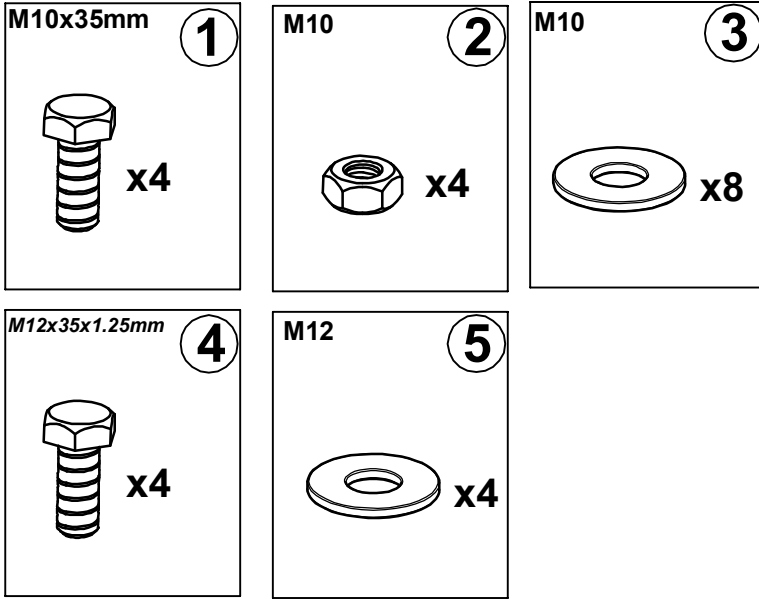
SW17 (40Nm)

SW10 (20Nm)

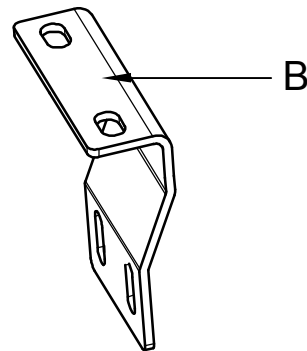
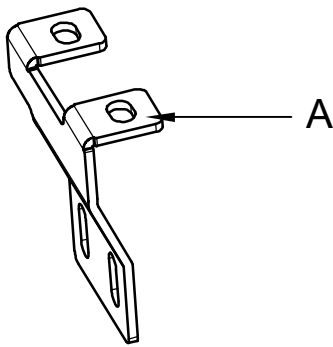


25 DAKİKA

# MONTAJ SETİ / INSTALLATION SET



1. M10x35 ANAHTAR BAŞLI CİVATA / M10x35 KEY HEAD BOLT
2. M10 SOMUN / M10 NUT
3. M10 PUL / M10 WASHER
4. M12x35x1.25mm ANAHTAR BAŞLI CİVATA / M6x25 KEY HEAD BOLT
5. M12 PUL / M12 WASHER



## **BRAKETLER / BRACKETS**

A. 4740ABA L R / SOL ARKA BRAKET / LEFT REAR BRACKET

B. 4740ABA R R / SAĞ ARKA BRAKET / RIGHT REAR BRACKET

Fig. 1



▲  
LR

ARAÇ ÜZERİNDEKİ CİVATALARI SÖKÜNÜZ

PLEASE REMOVE THE STOPPER THAT ALREADY ATTACHED ON THE VEHICLE

Fig. 5



▲  
RR

ARAÇ ÜZERİNDEKİ CİVATALARI SÖKÜNÜZ

PLEASE REMOVE THE STOPPER THAT ALREADY ATTACHED ON THE VEHICLE

Fig. 2



▲  
LR

4 NUMARALI PARÇAYI YERİNE TAKINIZ

PLEASE ATTACH THE PART (PART NO 4) TO THE PLACE SHOWN ABOVE

Fig. 6



▲  
RR

4 NUMARALI PARÇAYI YERİNE TAKINIZ

PLEASE ATTACH THE PART (PART NO 4) TO THE PLACE SHOWN ABOVE

Fig. 3



▲  
LR

BRAKETİ CİVATALAR İLE MONTAJLAYINIZ

INSTALL THE BRACKET WITH BOLTS

Fig. 7



▲  
RR

BRAKETİ CİVATALAR İLE MONTAJLAYINIZ

INSTALL THE BRACKET WITH BOLTS

Fig. 4



▲  
LR  
LEFT  
REAR

ÜRÜNÜ MONTAJLAYINIZ

PLEASE INSTALL THE PRODUCT

Fig. 8



▲  
RR  
LEFT  
REAR

ÜRÜNÜ MONTAJLAYINIZ

PLEASE INSTALL THE PRODUCT



## MONTAJ ŐEMASI / INSTALLATION SCHEME

