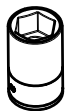


# HYUNDAI STARIA 2010>

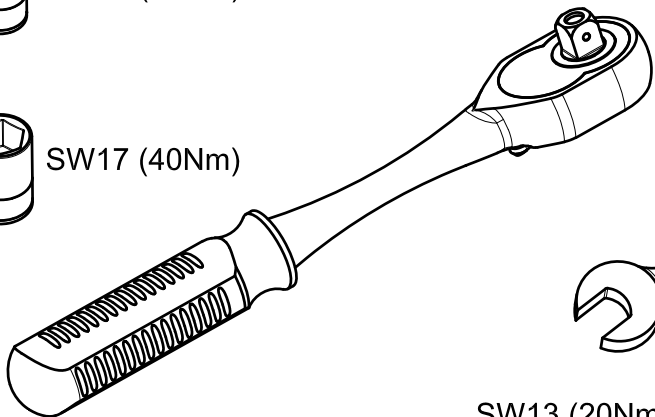
KOD / CODE : 3258DBR239



SW13 (20Nm)

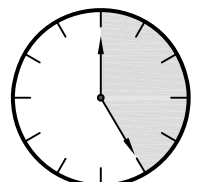
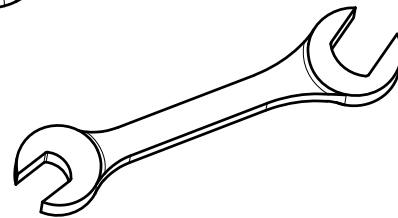


SW17 (40Nm)

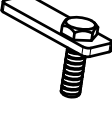


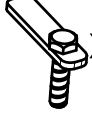




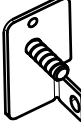



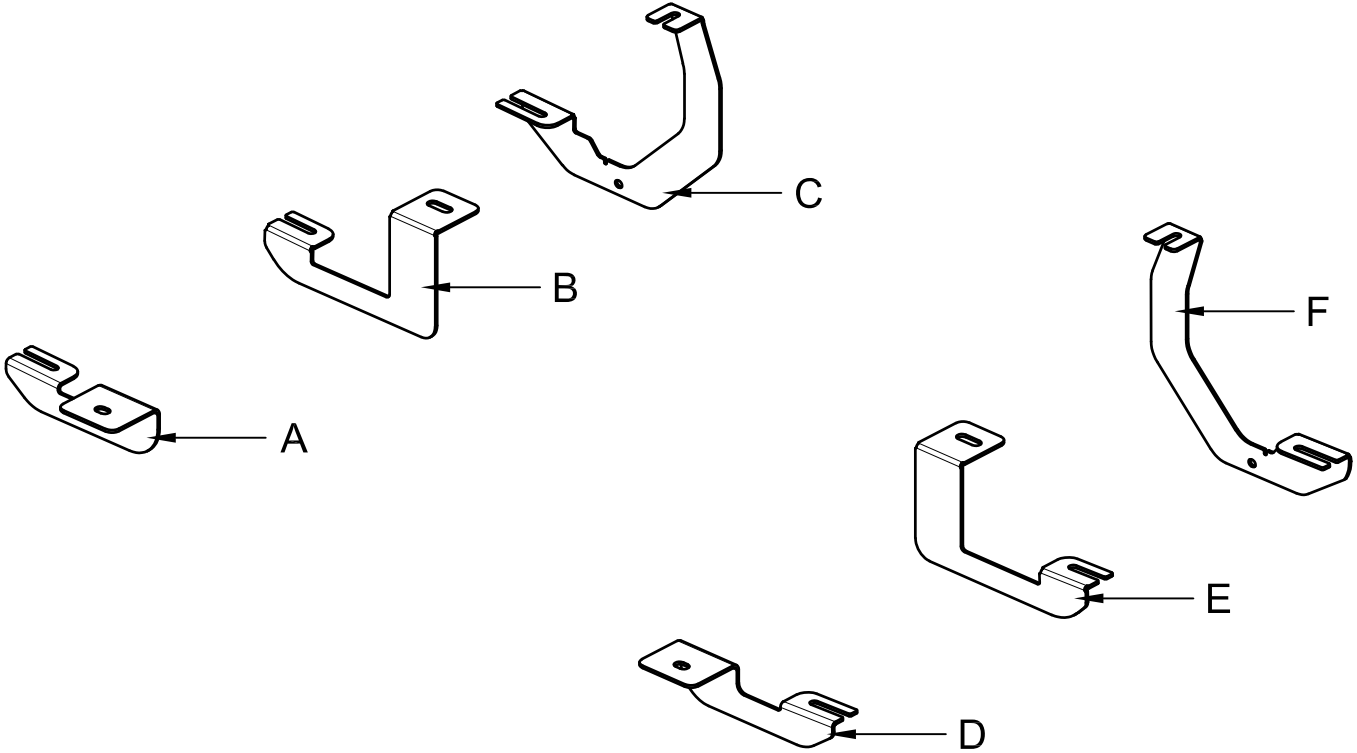
SW13 (20Nm)

SW17 (40Nm)



# MONTAJ SETİ / INSTALLATION SET

M10 LMC01 ①  x2	M10 ②  x4	M10 ③  x4	M8 LMC32 ④  x4	M8 ⑤  x18	M8 ⑥  x18
EBA375 R (3mm özel) ⑦  x1	M10 ⑧  x2	EBA375 L (3mm özel) ⑨  x1	M8x20 ⑩  x2		



## **BRAKETLER / BRACKETS**

- A. 3258DLY R F / SAĞ ÖN BRAKET / *RIGHT FRONT BRACKET*  
B. 3258DLY R M / SAĞ ORTA BRAKET / *RIGHT MIDDLE BRACKET*  
C. 3258DLY R R / SAĞ ARKA BRAKET / *RIGHT REAR BRACKET*  
D. 3258DLY L F / SOL ÖN BRAKET / *LEFT FRONT BRACKET*  
E. 3258DLY L M / SOL ORTA BRAKET / *LEFT MIDDLE BRACKET*  
F. 3258DLY L R / SOL ARKA BRAKET / *LEFT REAR BRACKET*



Fig. 1

ARAÇ ÜZERİNDEKİ PLASTİK KAPAĞI SÖKÜNÜZ  
PLEASE REMOVE THE STOPPER THAT ALREADY  
ATTACHED ON THE VEHICLE



Fig. 5

ARAÇ ÜZERİNDEKİ PLASTİK KAPAĞI SÖKÜNÜZ  
PLEASE REMOVE THE STOPPER THAT ALREADY  
ATTACHED ON THE VEHICLE



Fig. 2

4 NUMARALI PARÇAYI YERİNE TAKINIZ  
PLEASE ATTACH THE PART (PART NO 4)  
TO THE PLACE SHOWN ABOVE



Fig. 6

ARAÇ ÜZERİNDEKİ PLASTİK KAPAĞI SÖKÜNÜZ  
PLEASE REMOVE THE STOPPER THAT ALREADY  
ATTACHED ON THE VEHICLE



Fig. 3

BRKETİ CİVATALAR İLE MONTAJLAYINIZ  
INSTALL THE BRACKET WITH BOLTS



Fig. 7

1 NUMARALI PARÇAYI YERİNE TAKINIZ  
PLEASE ATTACH THE PART (PART NO 1)  
TO THE PLACE SHOWN ABOVE



Fig. 4

BRKETİ CİVATALAR İLE MONTAJLAYINIZ  
INSTALL THE BRACKET WITH BOLTS



Fig. 8

BRKETİ CİVATALAR İLE MONTAJLAYINIZ  
INSTALL THE BRACKET WITH BOLTS







ARAÇ ÜZERİNDEKİ BANTI SÖKÜNÜZ  
PLEASE REMOVE THE STOPPER THAT ALREADY  
ATTACHED ON THE VEHICLE

↑  
LR



BRAKETİ CIVATALAR İLE MONTAJLAYINIZ  
INSTALL THE BRACKET WITH BOLTS

↑  
LR



4 NUMARALI PARÇAYI YERİNE TAKINIZ  
PLEASE ATTACH THE PART (PART NO 4)  
TO THE PLACE SHOWN ABOVE

↑  
LR



BRAKETİ CIVATALAR İLE MONTAJLAYINIZ  
INSTALL THE BRACKET WITH BOLTS

↑  
LR

## MONTAJ ŞEMASI / INSTALLATION SCHEME

