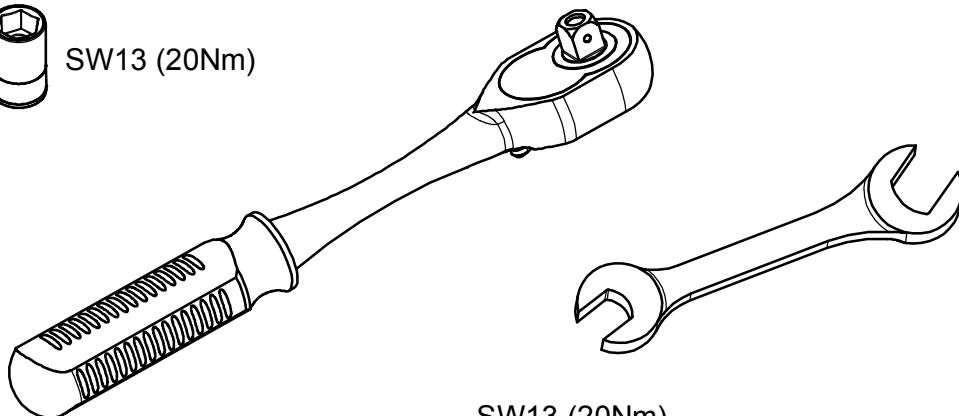


# ISUZU D-MAX 2006-2012

KOD / CODE :3701DKY111



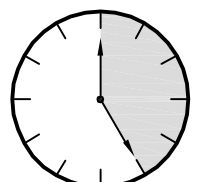
SW13 (20Nm)



SW13 (20Nm)

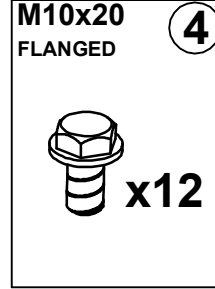
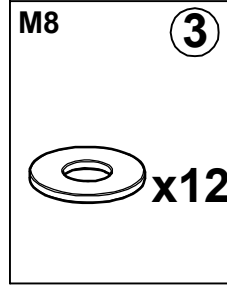
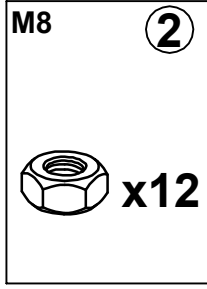
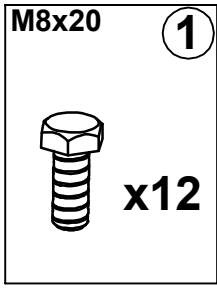


Version: 1.02 May 2019



25 DAKIKA

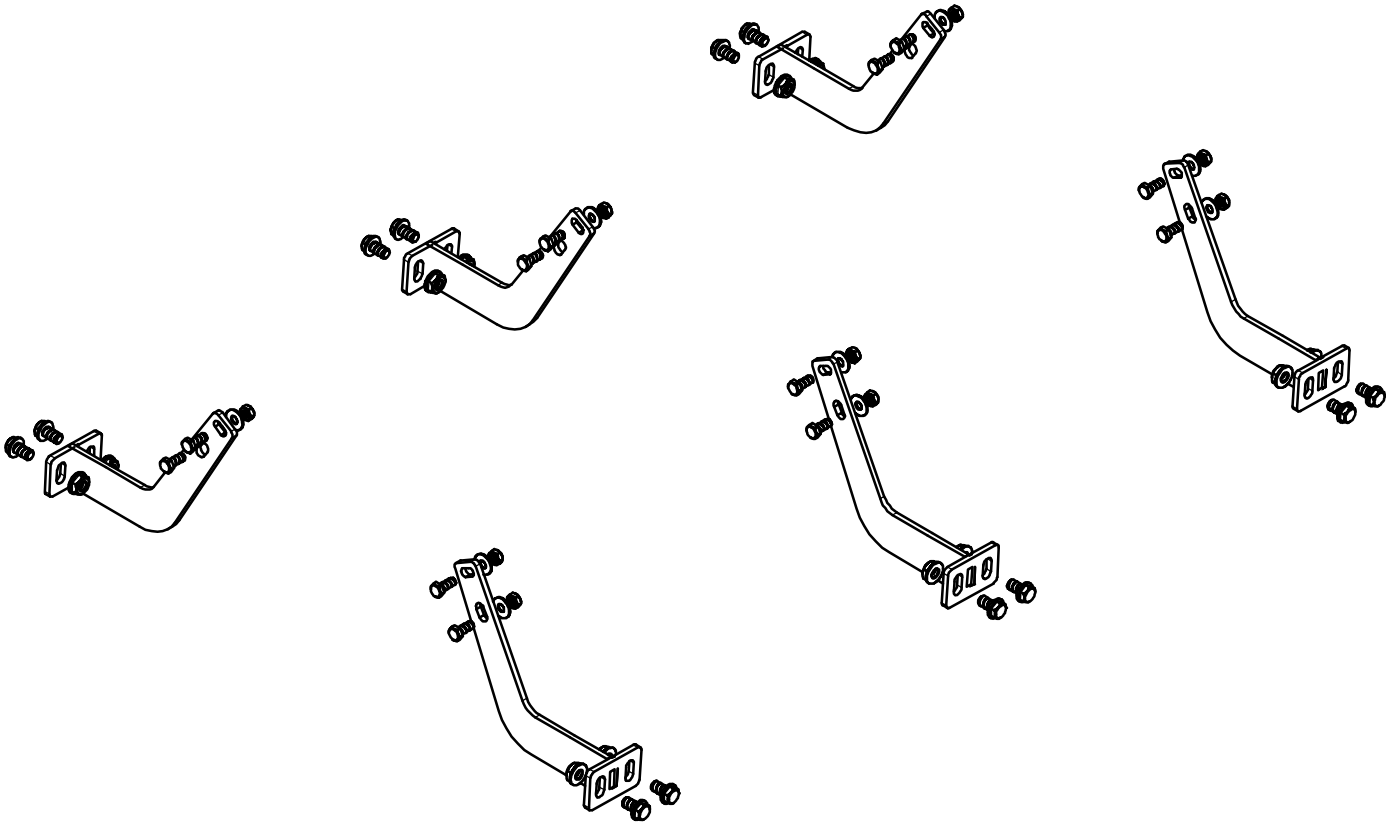
# MONTAJ SETİ / INSTALLATION SET



1. M8x20 ANAHTAR BAŞLI CİVATA / M8x20 KEY HEAD BOLT

2. M8 SOMUN / M8 NUT

3. M8 PUL / M8 WASHER



## BRAKETLER / BRACKETS

A. 3701BRK L F / SOL ÖN BRAKET / LEFT FRONT BRACKET

B. 3701BRK L R / SOL ARKA BRAKET / LEFT REAR BRACKET

C. 3701BRK R F / SAĞ ÖN BRAKET / RIGHT FRONT BRACKET

D. 3701BRK R R / SAĞ ARKA BRAKET / RIGHT REAR BRACKET

E. 3701BRK R M / SAĞ ORTA BRAKET / RIGHT MIDDLE BRACKET

F. 3701BRK L R / SOL ORTA BRAKET / LEFT MIDDLE BRACKET

Fig. 1



1 NUMARALI PARÇAYI YERİNE TAKINIZ

PLEASE ATTACH THE PART (PART NO 1)  
TO THE PLACE SHOWN ABOVE

LF

Fig. 4



1 NUMARALI PARÇAYI YERİNE TAKINIZ

PLEASE ATTACH THE PART (PART NO 1)  
TO THE PLACE SHOWN ABOVE

LR

Fig. 2



BRAKETİ CİVATALAR İLE MONTAJLAYINIZ  
INSTALL THE BRACKET WITH BOLTS

LF

Fig. 5



BRAKETİ CİVATALAR İLE MONTAJLAYINIZ  
INSTALL THE BRACKET WITH BOLTS

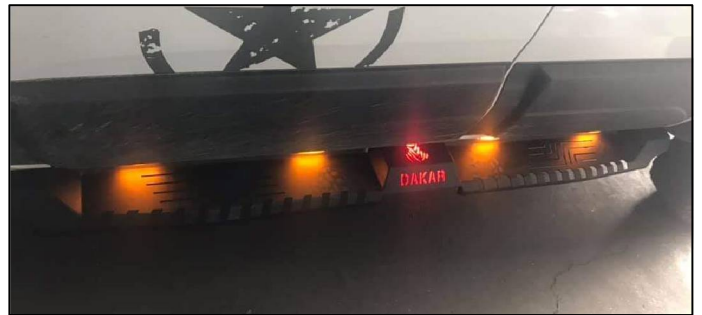
LR

Fig. 3



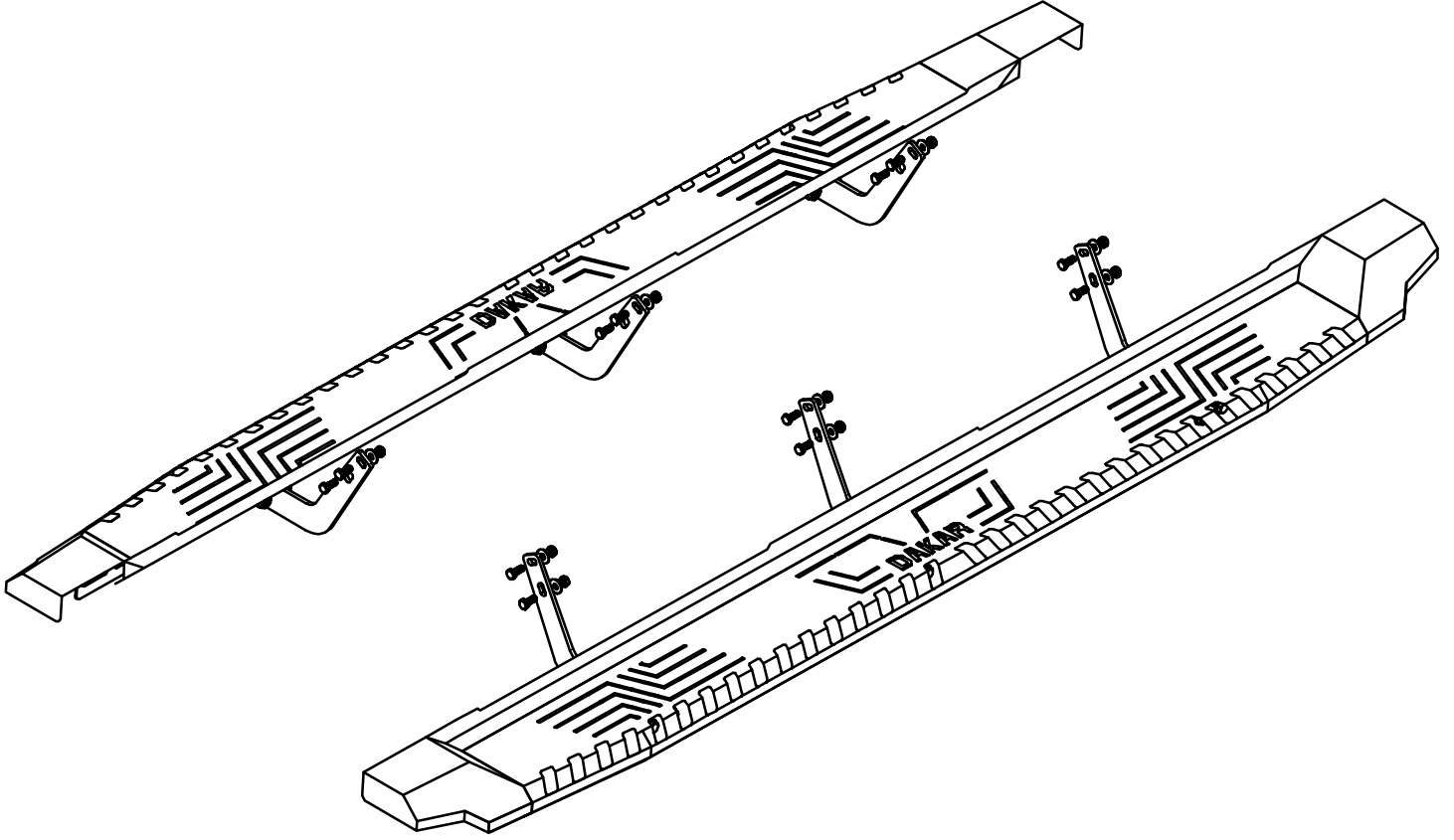
BRAKETİ CİVATALAR İLE MONTAJLAYINIZ  
INSTALL THE BRACKET WITH BOLTS

Fig. 6



ÜRÜNÜ MONTAJLAYINIZ  
PLEASE INSTALL THE PRODUCT

# MONTAJ ŞEMASI / INSTALLATION SCHEME



# MONTAJ ŞEMASI / INSTALLATION SCHEME

