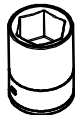


SKODA KAMIQ 2020

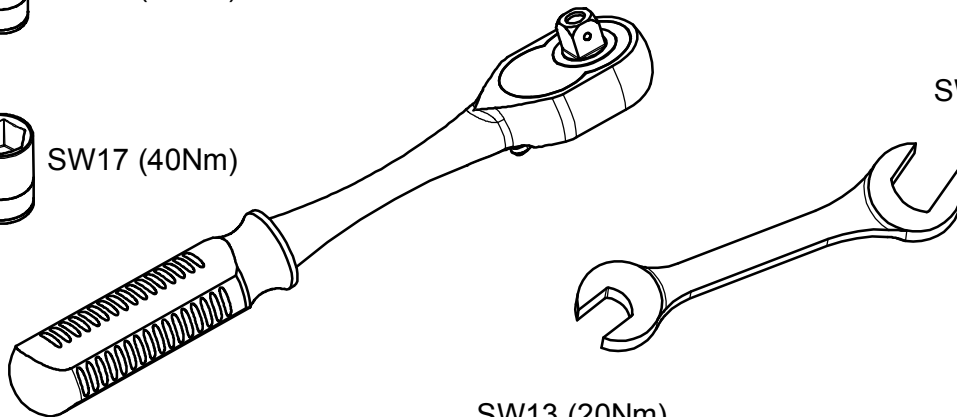
KOD / CODE : 6621BRK188



SW13 (20Nm)

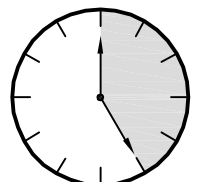


SW17 (40Nm)



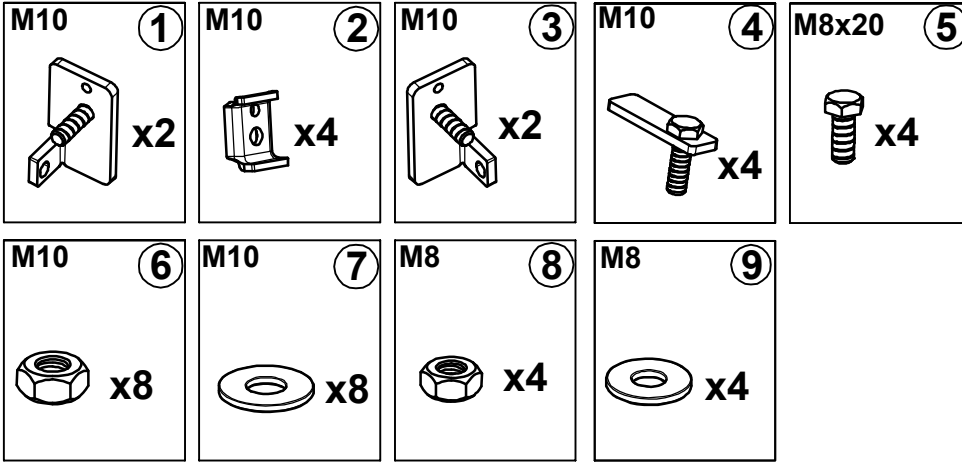
SW17 (40Nm)

SW13 (20Nm)

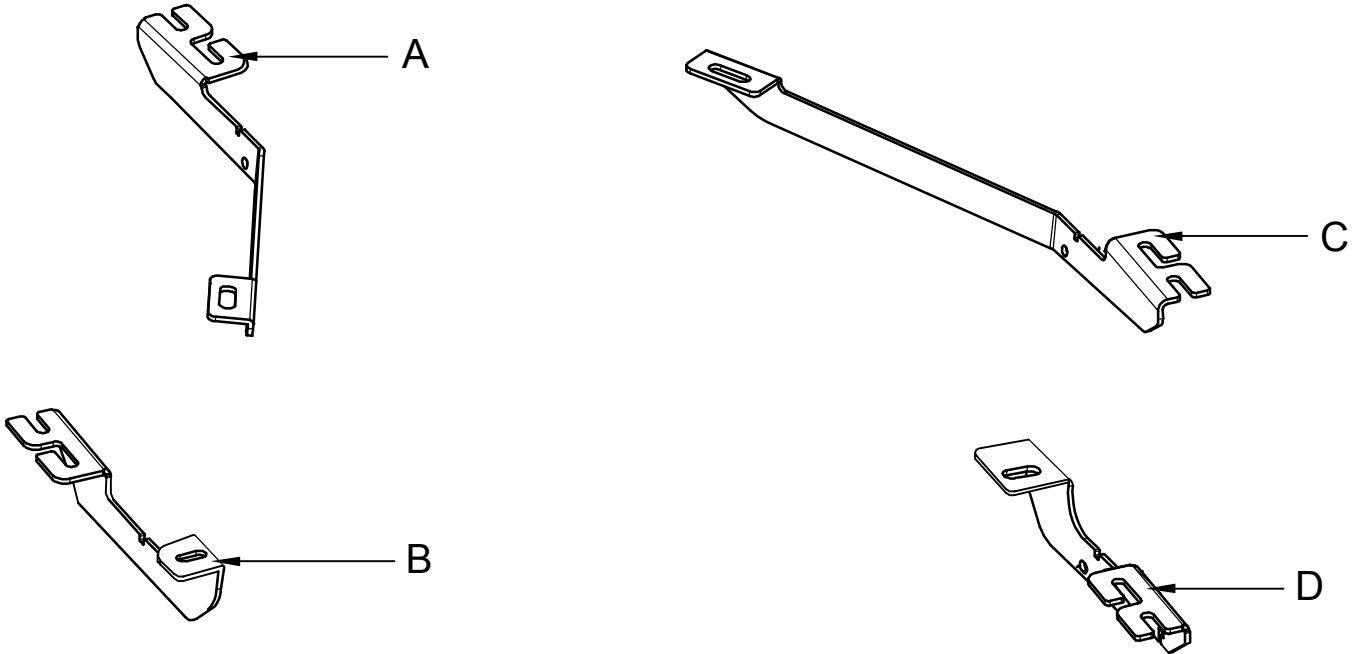


25 DAKİKA

MONTAJ SETİ / INSTALLATION SET



1. ETEK BAĞLANTI SAĞ / *SKIRT RING*
2. ETEK SIKMA / *SKIRTING*
3. ETEK BAĞLANTI SOL / *SKIRT RING*
4. M10 LAMALI CİVATA / *M10 MOUNTING PLATE*
5. M8x20 ANAHTAR BAŞLI CİVATA / *M8x20 KEY HEAD BOLT*
6. M10 SOMUN / *M10 NUT*
7. M10 PUL / *M10 WASHER*
8. M8 SOMUN / *M8 NUT*
9. M8 PUL / *M8 WASHER*



BRAKETLER / BRACKETS

- A. 6621BRK R F / SAĞ ÖN BRAKET / *RIGHT FRONT BRACKET*
- B. 6621BRK R R / SAĞ ARKA BRAKET / *RIGHT REAR BRACKET*
- C. 6621BRK L F / SOL ÖN BRAKET / *LEFT FRONT BRACKET*
- D. 6621BRK L R / SOL ARKA BRAKET / *LEFT REAR BRACKET*



1 NUMARALI PARÇAYI BRAKETE CIVATALAR İLE MONTAJLAYINIZ.
PLEASE ATTACH THE PART (PART NO 1) TO THE PLACE SHOWN ABOVE

Fig. 1

RF



ARAÇ ÜZERİNDEKİ TAPAYI SÖKÜNÜZ

PLEASE REMOVE THE STOPPER THAT ALREADY ATTACHED ON THE VEHICLE

Fig. 5

RR



ARAÇ ÜZERİNDEKİ PLASTİK KAPAĞI SÖKÜNÜZ

PLEASE REMOVE THE STOPPER THAT ALREADY ATTACHED ON THE VEHICLE

Fig. 2

RF



4 NUMARALI PARÇAYI YERİNE TAKINIZ

PLEASE ATTACH THE PART (PART NO 4) TO THE PLACE SHOWN ABOVE

Fig. 6

RR



4 NUMARALI PARÇAYI YERİNE TAKINIZ

PLEASE ATTACH THE PART (PART NO 4) TO THE PLACE SHOWN ABOVE

Fig. 3

RF



4 NUMARALI PARÇAYI YERİNE TAKINIZ

PLEASE ATTACH THE PART (PART NO 4) TO THE PLACE SHOWN ABOVE

Fig. 7

RR



BRAKETİ CIVATALAR İLE MONTAJLAYINIZ

INSTALL THE BRACKET WITH BOLTS

Fig. 4

RF



ÜRÜNÜ MONTAJLAYINIZ

PLEASE INSTALL THE PRODUCT

Fig. 8

RR



MONTAJ ŞEMASI / INSTALLATION SCHEME

