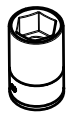


# SEAT ARONA 2009-

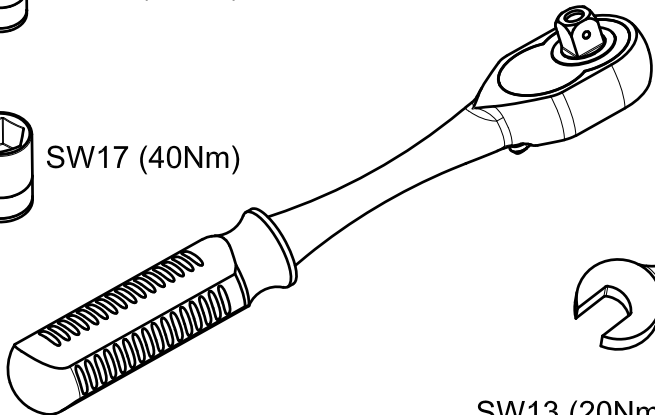
KOD / CODE : 6514BRK183



SW13 (20Nm)

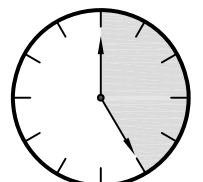
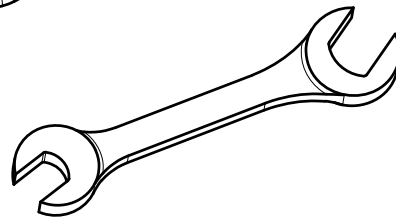


SW17 (40Nm)



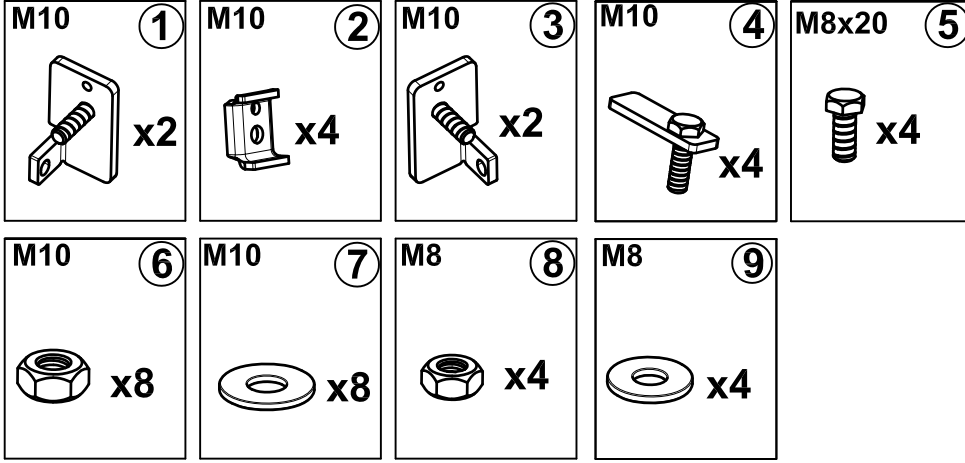
SW13 (20Nm)

SW17 (40Nm)

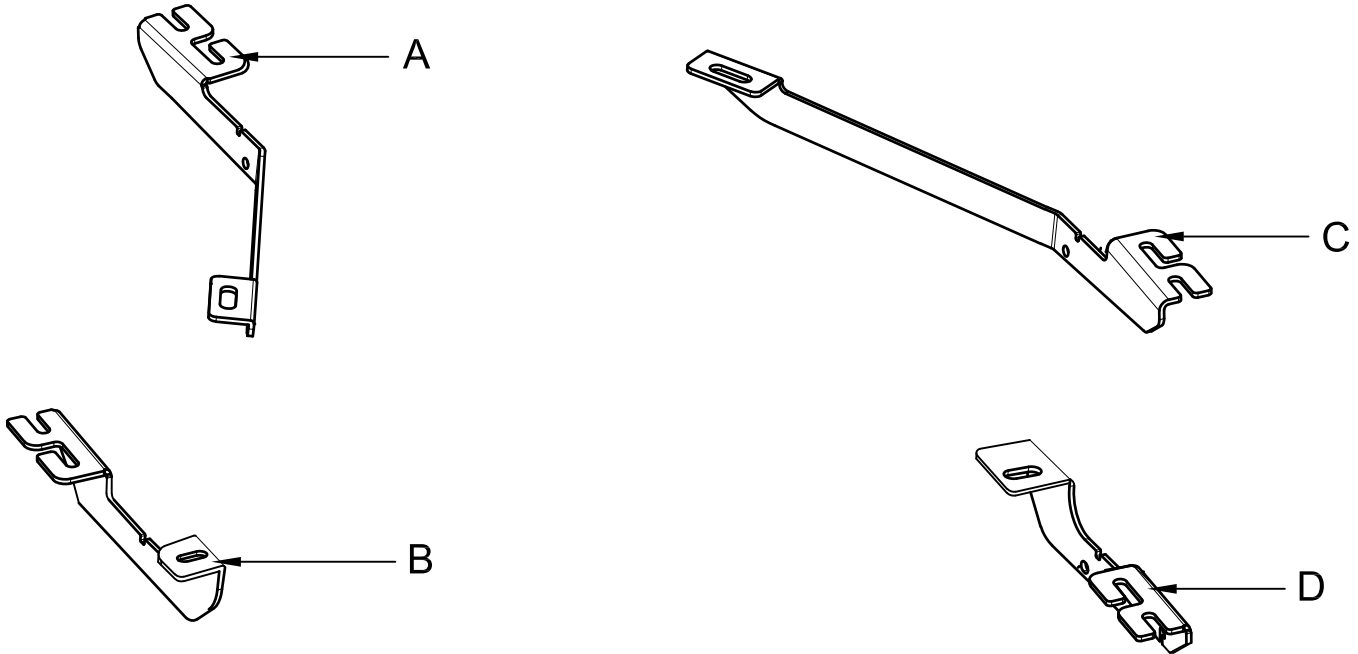


25 DAKIKA

# MONTAJ SETİ / INSTALLATION SET



1. ETEK BAĞLANTI SAĞ / *SKIRT RING*
2. ETEK SIKMA / *SKIRTING*
3. ETEK BAĞLANTI SOL / *SKIRT RING*
4. M10 LAMALI CİVATA / *M10 MOUNTING PLATE*
5. M8x20 ANAHTAR BAŞLI CİVATA / *M8x20 KEY HEAD BOLT*
6. M10 SOMUN / *M10 NUT*
7. M10 PUL / *M10 WASHER*
8. M8 SOMUN / *M8 NUT*
9. M8 PUL / *M8 WASHER*



## **BRAKETLER / BRACKETS**

- A. 6514BRK R F / SAĞ ÖN BRAKET / *RIGHT FRONT BRACKET*
- B. 6514BRK R R / SAĞ ARKA BRAKET / *RIGHT REAR BRACKET*
- C. 6514BRK L F / SOL ÖN BRAKET / *LEFT FRONT BRACKET*
- D. 6514BRK L R / SOL ARKA BRAKET / *LEFT REAR BRACKET*



Fig. 1

ARAÇ ÜZERİNDEKİ TAPAYI SÖKÜNÜZ  
PLEASE REMOVE THE STOPPER THAT ALREADY  
ATTACHED ON THE VEHICLE



Fig. 5

ARAÇ ÜZERİNDEKİ TAPAYI SÖKÜNÜZ  
PLEASE REMOVE THE STOPPER THAT ALREADY  
ATTACHED ON THE VEHICLE



Fig. 2

ARAÇ ÜZERİNDEKİ TAPAYI SÖKÜNÜZ  
PLEASE REMOVE THE STOPPER THAT ALREADY  
ATTACHED ON THE VEHICLE



Fig. 6

ARAÇ ÜZERİNDEKİ PLASTİK TAPAYI SÖKÜNÜZ  
PLEASE REMOVE THE STOPPER THAT ALREADY  
ATTACHED ON THE VEHICLE



Fig. 3

4 NUMARALI PARÇAYI YERİNE TAKINIZ  
PLEASE ATTACH THE PART (PART NO 4) TO THE PLACE  
SHOWN ABOVE



Fig. 7

4 NUMARALI PARÇAYI YERİNE TAKINIZ  
PLEASE ATTACH THE PART (PART NO 4) TO THE PLACE  
SHOWN ABOVE



Fig. 4

BRAKETİ CİVATALAR İLE MONTAJLAYINIZ  
INSTALL THE BRACKET WITH BOLTS



Fig. 8

BRAKETİ CİVATALAR İLE MONTAJLAYINIZ  
INSTALL THE BRACKET WITH BOLTS



## MONTAJ ŞEMASI / INSTALLATION SCHEME

