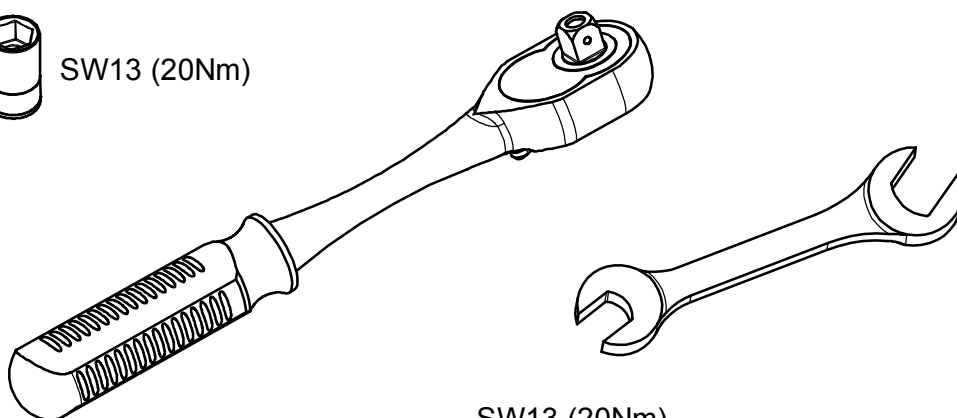


KIA NIRO 2020>

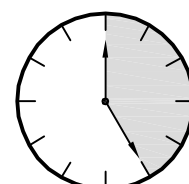
KOD / CODE : 4027BRK183



SW13 (20Nm)

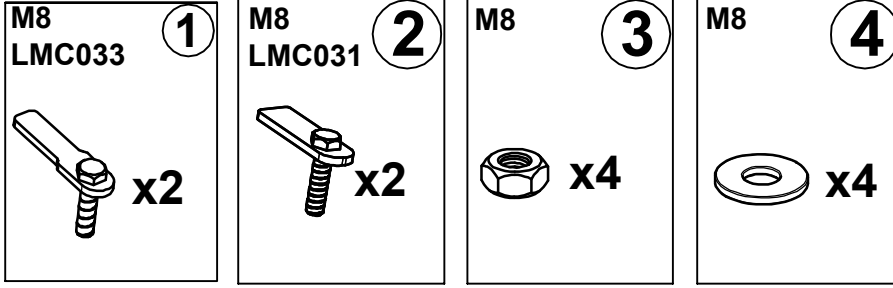


SW13 (20Nm)

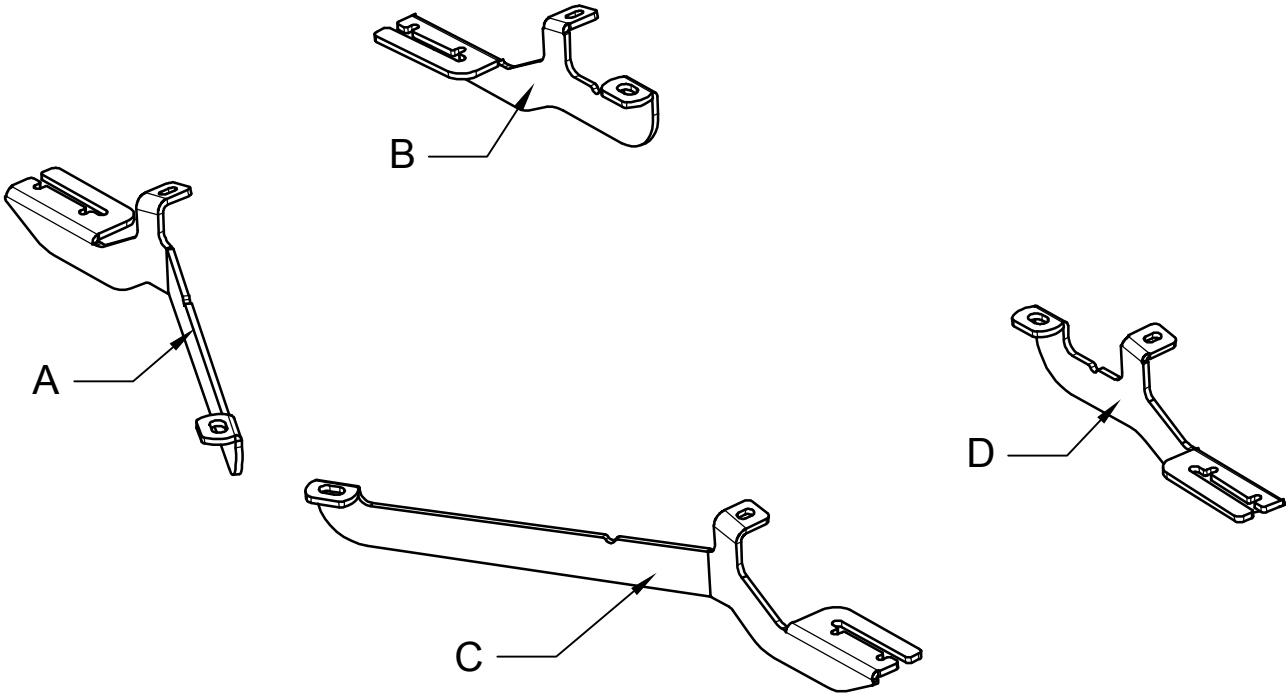


25 DAKIKA

MONTAJ SETİ / INSTALLATION SET



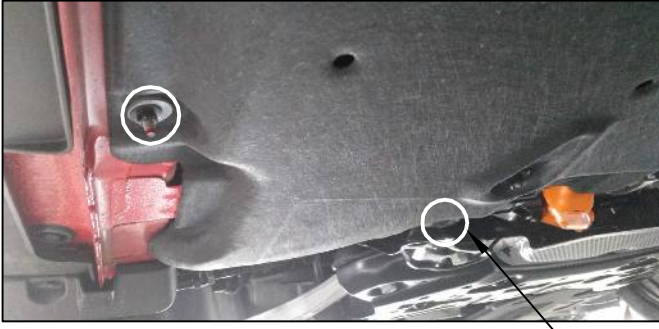
1. M8 LAMALI CİVATA / M10 MOUNTING PLATE
2. M8 LAMALI CİVATA / M10 MOUNTING PLATE
3. M8 SOMUN / M8 NUT
4. M8 PUL / M8 WASHER



BRAKETLER / BRACKETS

- A. 4027BRK R F / SAĞ ÖN BRAKET / RIGHT FRONT BRACKET
- B. 4027BRK R R / SAĞ ARKA BRAKET / RIGHT REAR BRACKET
- C. 4027BRK L F / SOL ÖN BRAKET / LEFT FRONT BRACKET
- D. 4027BRK L R / SOL ARKA BRAKET / LEFT REAR BRACKET

Fig. 1



ARAÇ ÜZERİNDEKİ TAPA VE SOMUNU SÖKÜNÜZ
PLEASE REMOVE THE STOPPER THAT ALREADY
ATTACHED ON THE VEHICLE



Fig. 5



ARAÇ ÜZERİNDEKİ TAPA VE SOMUNU SÖKÜNÜZ
PLEASE REMOVE THE STOPPER THAT ALREADY
ATTACHED ON THE VEHICLE



Fig. 2



1 NUMARALI PARÇAYI YERİNE TAKINIZ
PLEASE ATTACH THE PART (PART NO 1)
TO THE PLACE SHOWN ABOVE

1

Fig.



2 NUMARALI PARÇAYI YERİNE TAKINIZ
PLEASE ATTACH THE PART (PART NO 2)
TO THE PLACE SHOWN ABOVE

2

Fig. 3



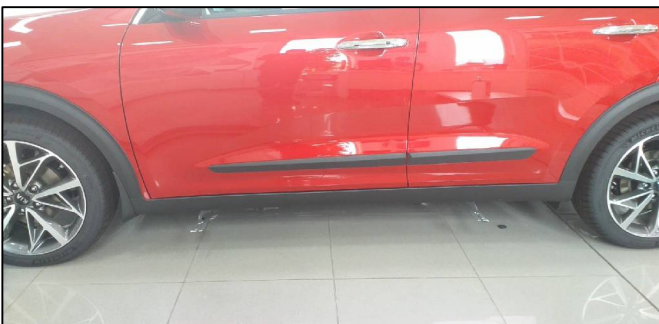
BRAKETİ CİVATALAR İLE MONTAJLAYINIZ
INSTALL THE BRACKET WITH BOLTS

Fig. 7



BRAKETİ CİVATALAR İLE MONTAJLAYINIZ
INSTALL THE BRACKET WITH BOLTS

Fig. 4



BRAKETİ CİVATALAR İLE MONTAJLAYINIZ
INSTALL THE BRACKET WITH BOLTS

Fig. 8



ÜRÜNÜ MONTAJLAYINIZ
INSTALL THE BRACKET WITH BOLTS



MONTAJ ŞEMASI / INSTALLATION SCHEME

