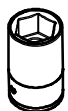


KIA STONIC 2021>

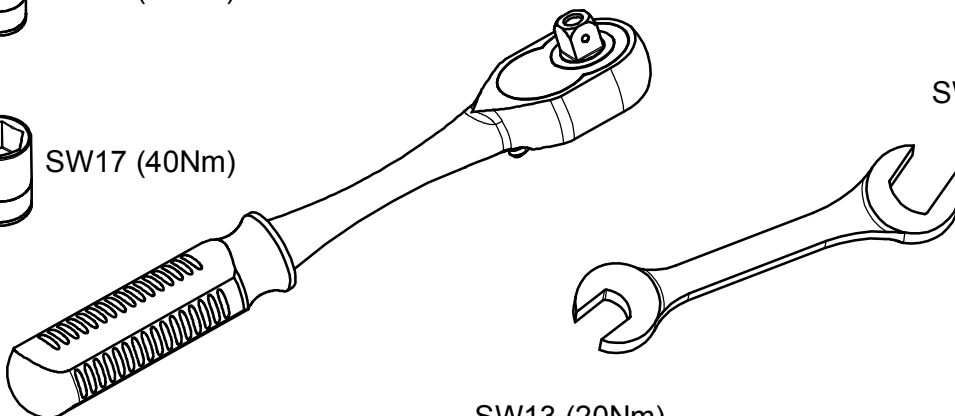
KOD / CODE : 4025BRK173



SW13 (20Nm)

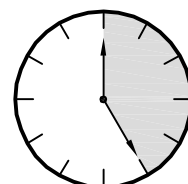


SW17 (40Nm)



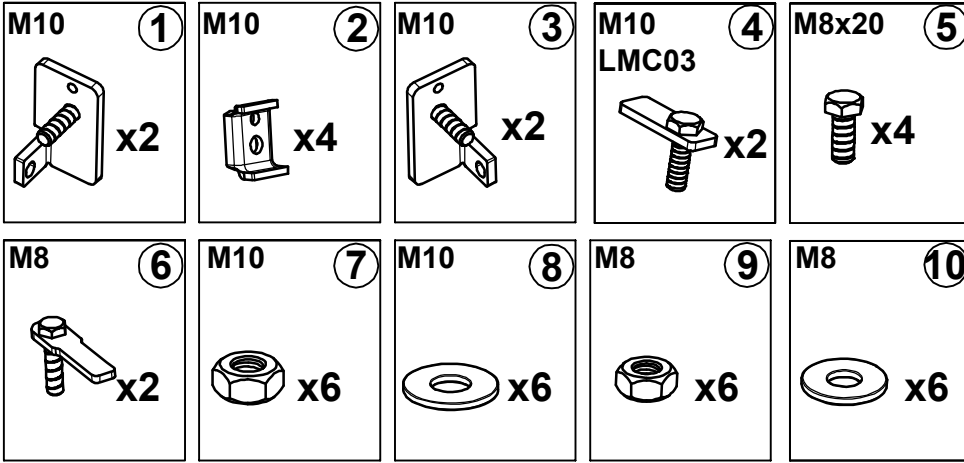
SW17 (40Nm)

SW13 (20Nm)

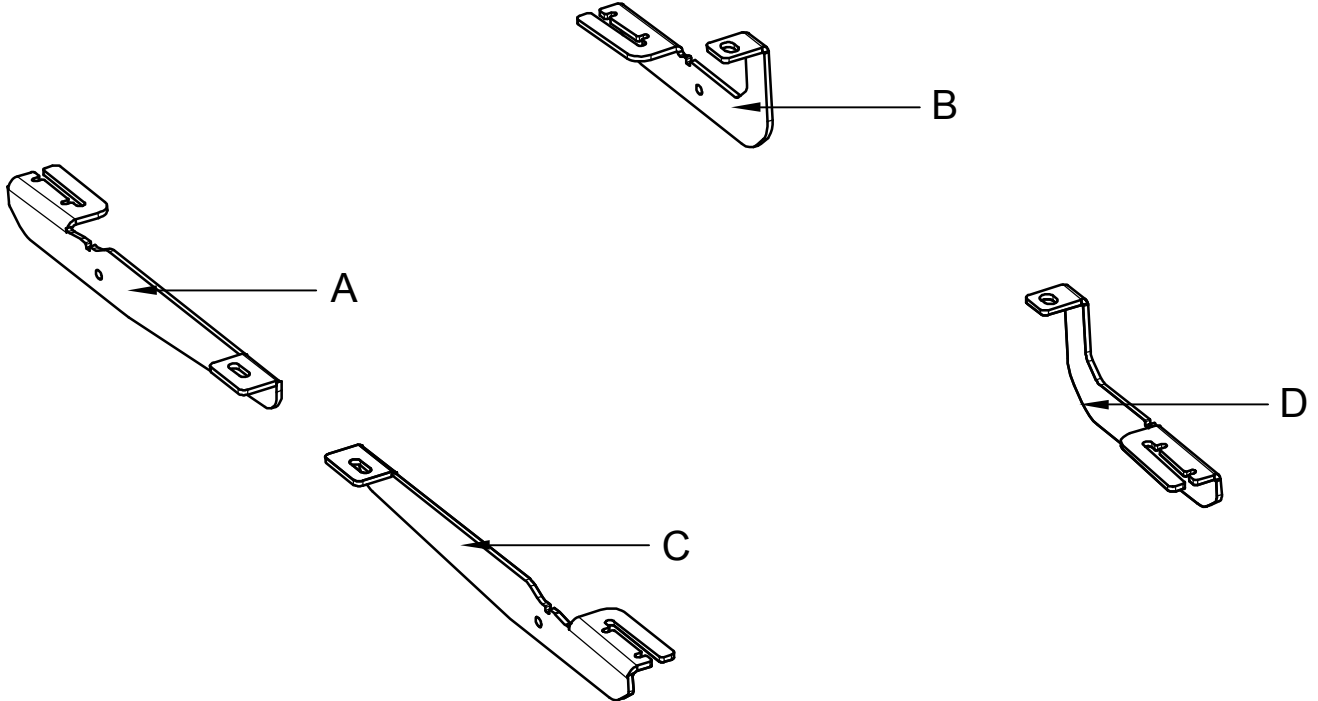


25 DAKİKA

MONTAJ SETİ / INSTALLATION SET



1. ETEK BAĞLANTI SAĞ / SKIRT RING
2. ETEK SIKMA / SKIRTING
3. ETEK BAĞLANTI SOL / SKIRT RING
4. M10 LAMALI CİVATA / M10 MOUNTING PLATE
5. M8x20 ANAHTAR BAŞLI CİVATA / M8x20 KEY HEAD BOLT
6. M8 LAMALI CİVATA / M8 MOUNTING PLATE
7. M10 SOMUN / M10 NUT
8. M10 PUL / M10 WASHER
9. M8 SOMUN / M8 NUT
10. M8 PUL / M8 WASHER



BRAKETLER / BRACKETS

- A. 4025BRK R F / SAĞ ÖN BRAKET / RIGHT FRONT BRACKET
- B. 4025BRK R R / SAĞ ARKA BRAKET / RIGHT REAR BRACKET
- C. 4025BRK L F / SOL ÖN BRAKET / LEFT FRONT BRACKET
- D. 4025BRK L R / SOL ARKA BRAKET / LEFT REAR BRACKET

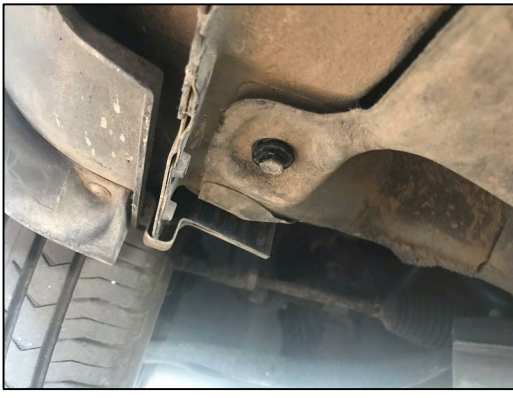


Fig. 1

ARAÇ ÜZERİNDEKİ PLASTİK MUHAFAFYI SÖKÜNÜZ

PLEASE REMOVE THE STOPPER THAT ALREADY ATTACHED ON THE VEHICLE



Fig. 5

ARAÇ ÜZERİNDEKİ PLASTİK MUHAFAFYI SÖKÜNÜZ

PLEASE REMOVE THE STOPPER THAT ALREADY ATTACHED ON THE VEHICLE

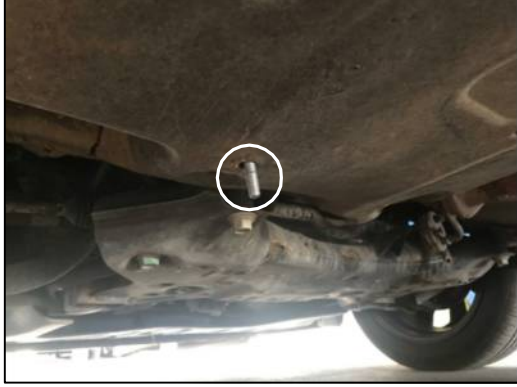


Fig. 2

6 NUMARALI PARÇAYI YERİNE TAKINIZ

PLEASE ATTACH THE PART (PART NO 6) TO THE PLACE SHOWN ABOVE



Fig. 6

4 NUMARALI PARÇAYI YERİNE TAKINIZ

PLEASE ATTACH THE PART (PART NO 4) TO THE PLACE SHOWN ABOVE



Fig. 3

BRAKETİ CİVATALAR İLE MONTAJLAYINIZ

INSTALL THE BRACKET WITH BOLTS

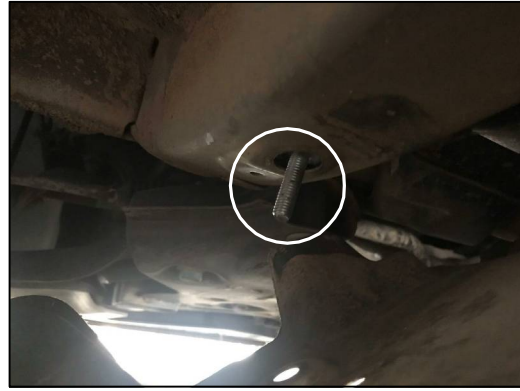


Fig. 7

4 NUMARALI PARÇAYI YERİNE TAKINIZ

PLEASE ATTACH THE PART (PART NO 4) TO THE PLACE SHOWN ABOVE



Fig. 4

BRAKETİ CİVATALAR İLE MONTAJLAYINIZ

INSTALL THE BRACKET WITH BOLTS



Fig. 8

BRAKETİ CİVATALAR İLE MONTAJLAYINIZ

INSTALL THE BRACKET WITH BOLTS





MONTAJ ŞEMASI / INSTALLATION SCHEME

