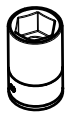


HYUNDAI STARIA 2010>

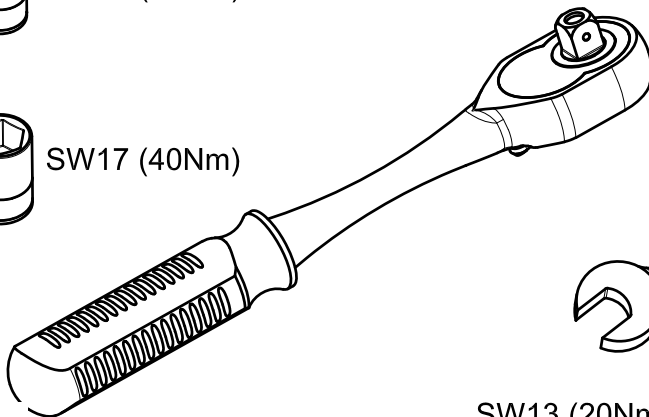
KOD / CODE : 3258BRK239



SW13 (20Nm)

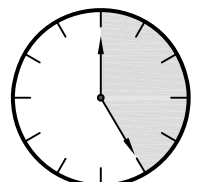
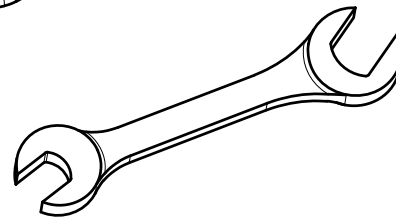


SW17 (40Nm)

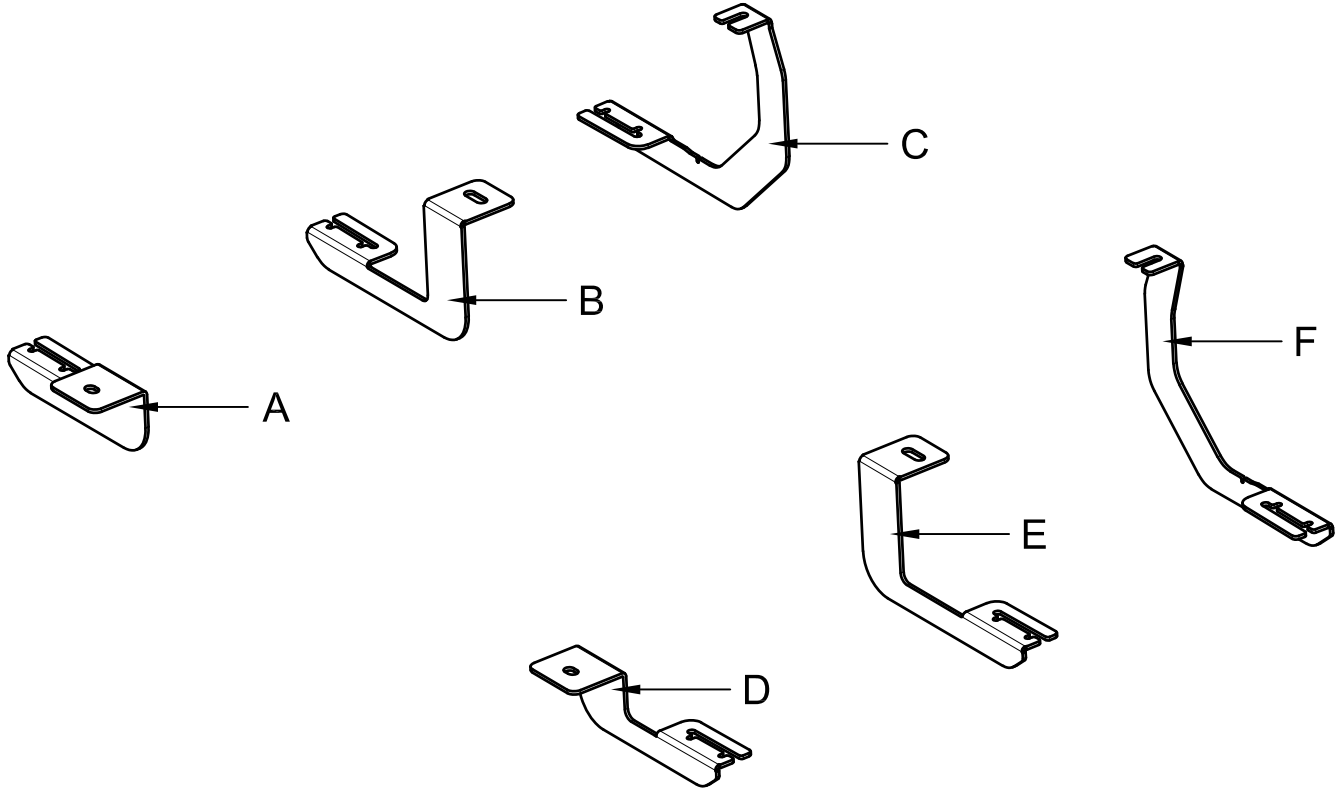
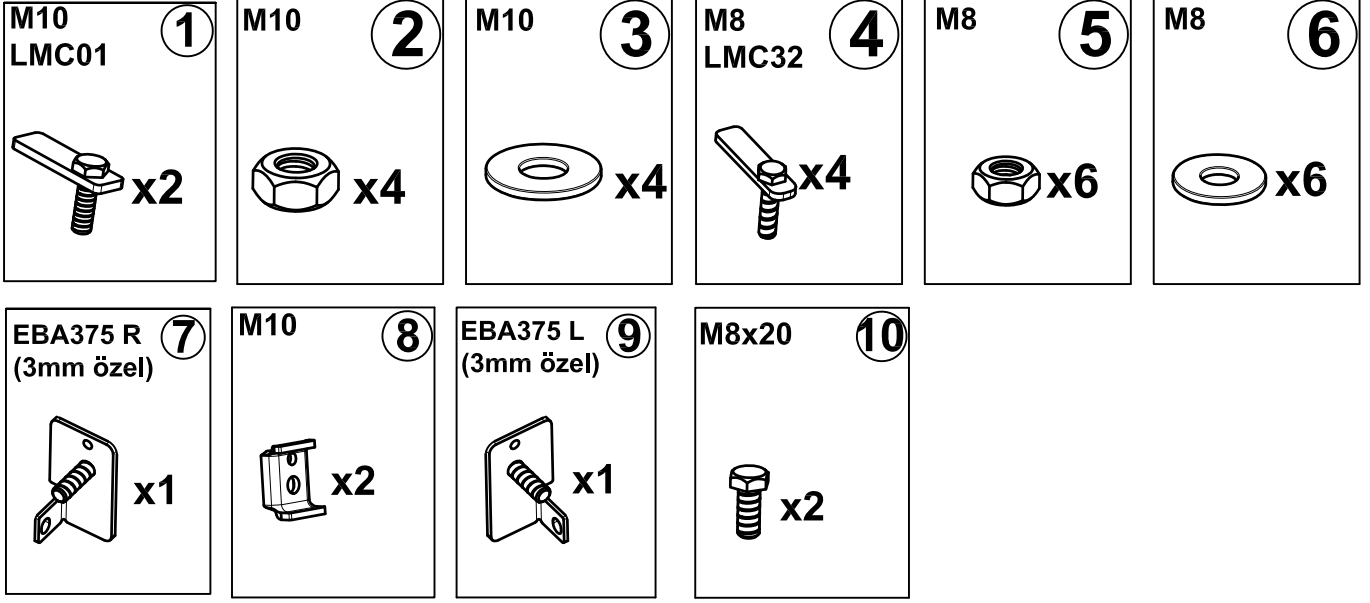


SW13 (20Nm)

SW17 (40Nm)



MONTAJ SETİ / INSTALLATION SET



BRAKETLER / BRACKETS

- A. 3258BRK R F / SAĞ ÖN BRAKET / *RIGHT FRONT BRACKET*
B. 3258BRK R M / SAĞ ORTA BRAKET / *RIGHT MIDDLE BRACKET*
C. 3258BRK R R / SAĞ ARKA BRAKET / *RIGHT REAR BRACKET*
D. 3258BRK L F / SOL ÖN BRAKET / *LEFT FRONT BRACKET*
E. 3258BRK L M / SOL ORTA BRAKET / *LEFT MIDDLE BRACKET*
F. 3258BRK L R / SOL ARKA BRAKET / *LEFT REAR BRACKET*



Fig. 1

ARAÇ ÜZERİNDEKİ PLASTİK KAPAĞI SÖKÜNÜZ
PLEASE REMOVE THE STOPPER THAT ALREADY
ATTACHED ON THE VEHICLE



Fig. 5

ARAÇ ÜZERİNDEKİ PLASTİK KAPAĞI SÖKÜNÜZ
PLEASE REMOVE THE STOPPER THAT ALREADY
ATTACHED ON THE VEHICLE



Fig. 2

4 NUMARALI PARÇAYI YERİNE TAKINIZ
PLEASE ATTACH THE PART (PART NO 4)
TO THE PLACE SHOWN ABOVE



Fig. 6

ARAÇ ÜZERİNDEKİ PLASTİK KAPAĞI SÖKÜNÜZ
PLEASE REMOVE THE STOPPER THAT ALREADY
ATTACHED ON THE VEHICLE



Fig. 3

BRAKETİ CİVATALAR İLE MONTAJLAYINIZ
INSTALL THE BRACKET WITH BOLTS



Fig. 7

1 NUMARALI PARÇAYI YERİNE TAKINIZ
PLEASE ATTACH THE PART (PART NO 1)
TO THE PLACE SHOWN ABOVE



Fig. 4

BRAKETİ CİVATALAR İLE MONTAJLAYINIZ
INSTALL THE BRACKET WITH BOLTS



Fig. 8

BRAKETİ CİVATALAR İLE MONTAJLAYINIZ
INSTALL THE BRACKET WITH BOLTS





ARAÇ ÜZERİNDEKİ BANTI SÖKÜNÜZ
PLEASE REMOVE THE STOPPER THAT ALREADY
ATTACHED ON THE VEHICLE

▲
LR



BRAKETİ CIVATALAR İLE MONTAJLAYINIZ
INSTALL THE BRACKET WITH BOLTS

▲
LR



4 NUMARALI PARÇAYI YERİNE TAKINIZ
PLEASE ATTACH THE PART (PART NO 4)
TO THE PLACE SHOWN ABOVE

▲
LR



BRAKETİ CIVATALAR İLE MONTAJLAYINIZ
INSTALL THE BRACKET WITH BOLTS

▲
LR

MONTAJ ŞEMASI / INSTALLATION SCHEME

