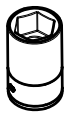
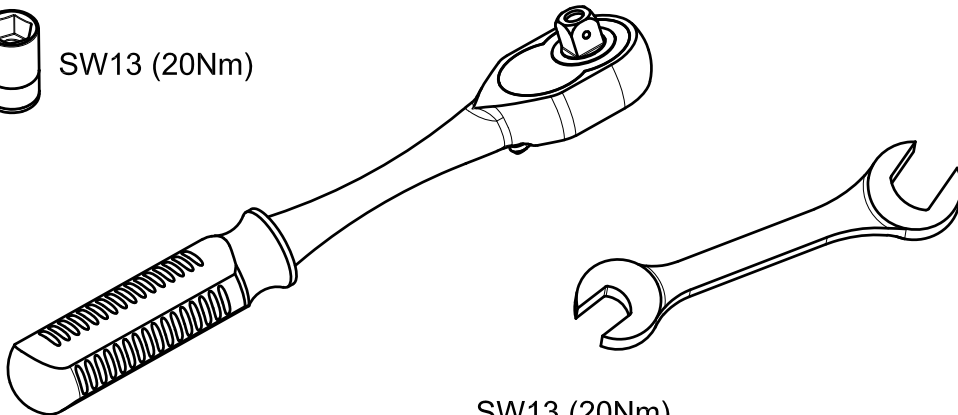


FORD CUSTOM 2012>

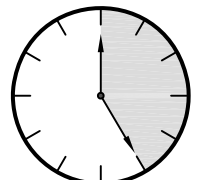
KOD / CODE : 2624BRK203-243



SW13 (20Nm)

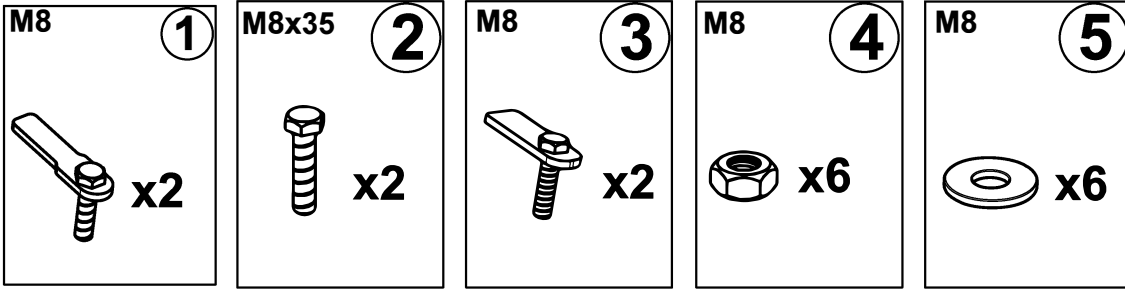


SW13 (20Nm)



25 DAKIKA

MONTAJ SETİ / INSTALLATION SET



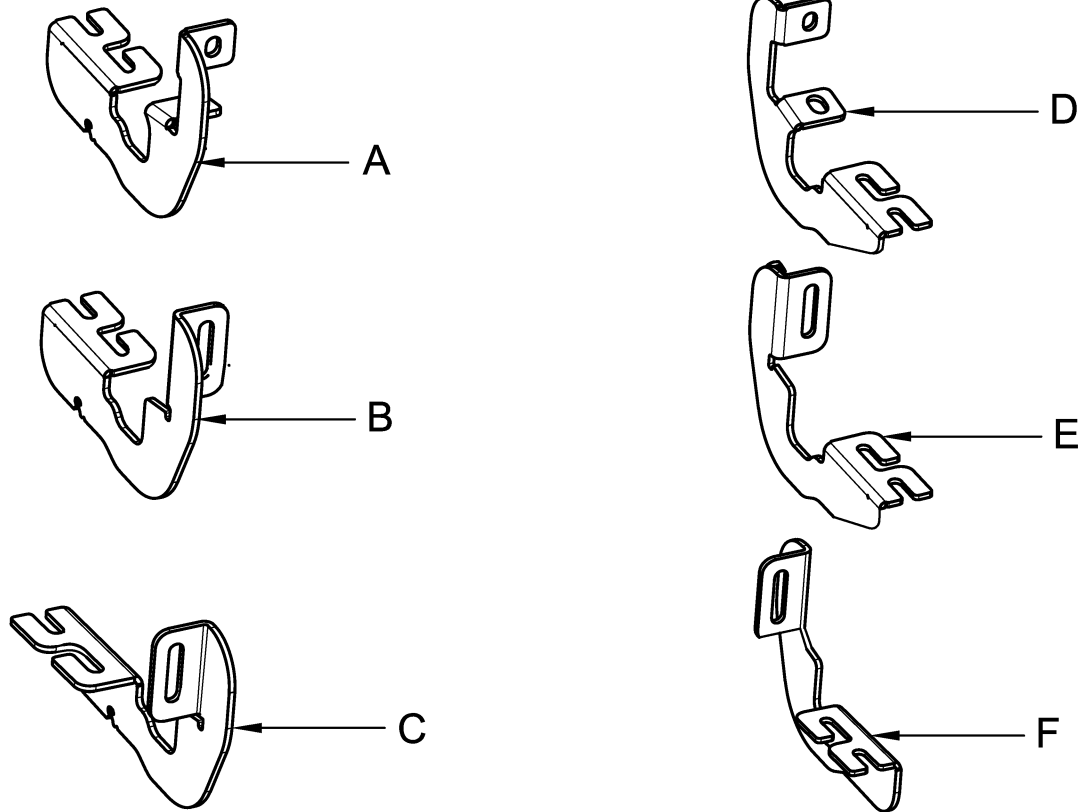
1. M8 LAMALI CİVATA / M10 MOUNTING PLATE

2. M8x35 ANAHTAR BAŞLI CİVATA / M8x35 KEY HEAD BOLT

3. M8 LAMALI CİVATA / M10 MOUNTING PLATE

4. M8 SOMUN / M8 NUT

5. M8 PUL / M8 WASHER



BRAKETLER / BRACKETS

A. 2624BRK R F / SAĞ ÖN BRAKET / RIGHT FRONT BRACKET

B. 2624BRK R M / SAĞ ORTA BRAKET / RIGHT MIDDLE BRACKET

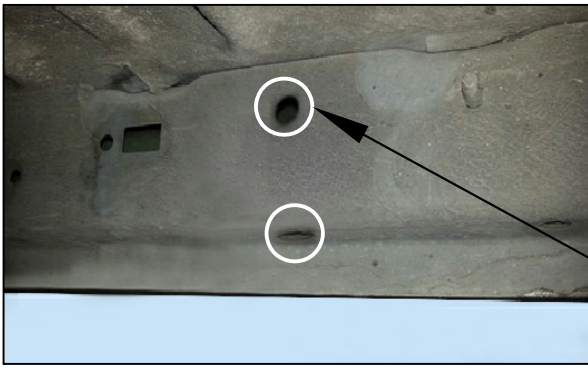
C. 2624BRK R R / SAĞ ARKA BRAKET / RIGHT REAR BRACKET

D. 2624BRK L F / SOL ÖN BRAKET / LEFT FRONT BRACKET

E. 2624BRK L M / SOL ORTA BRAKET / LEFT MIDDLE BRACKET

F. 2624BRK L R / SOL ARKA BRAKET / LEFT REAR BRACKET

Fig. 1



LF

ARAÇ ÜZERİNDEKİ PLASTİK KAPAĞI SÖKÜNÜZ
PLEASE REMOVE THE STOPPER THAT ALREADY
ATTACHED ON THE VEHICLE

Fig. 4



LM

BRAKETİ CİVATALAR İLE MONTAJLAYINIZ
INSTALL THE BRACKET WITH BOLTS

Fig. 2



LF

BRAKETİ CİVATALAR İLE MONTAJLAYINIZ
INSTALL THE BRACKET WITH BOLTS

Fig. 5



LR

ARAÇ ÜZERİNDEKİ PLASTİK KAPAĞI SÖKÜNÜZ
PLEASE REMOVE THE STOPPER THAT ALREADY
ATTACHED ON THE VEHICLE

Fig. 3



LM

ARAÇ ÜZERİNDEKİ PLASTİK KAPAĞI SÖKÜNÜZ
PLEASE REMOVE THE STOPPER THAT ALREADY
ATTACHED ON THE VEHICLE

Fig. 6



LR

BRAKETİ CİVATALAR İLE MONTAJLAYINIZ
INSTALL THE BRACKET WITH BOLTS



MONTAJ ŞEMASI / INSTALLATION SCHEME

