

# DACIA DUSTER 2018>

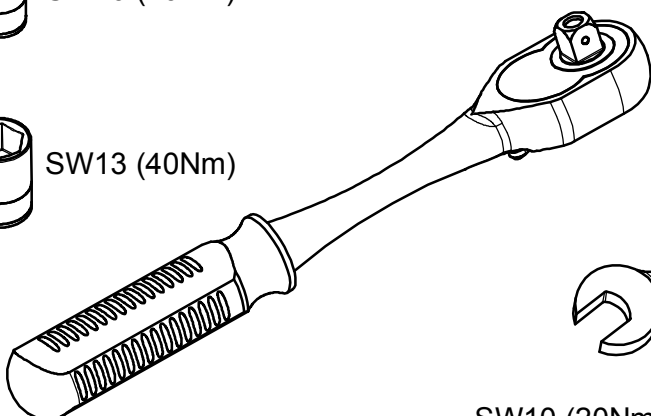
KOD / CODE : 2025BRK173



SW10 (20Nm)

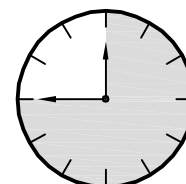
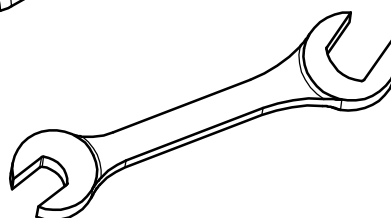


SW13 (40Nm)



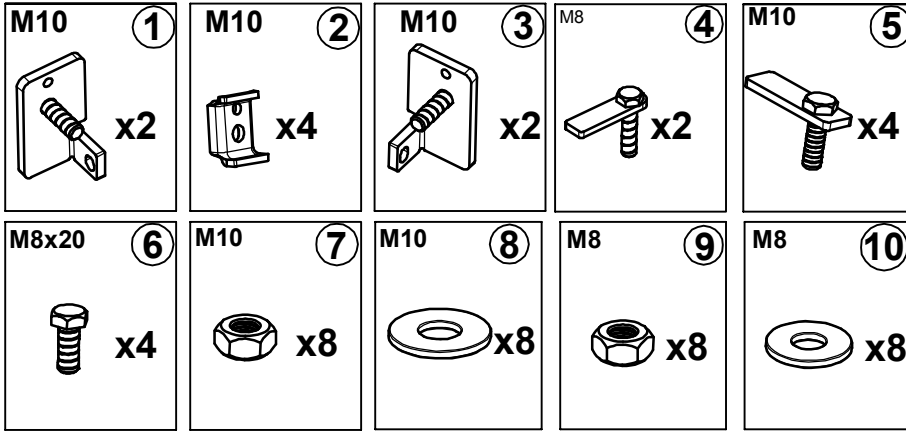
SW10 (20Nm)

SW13 (40Nm)

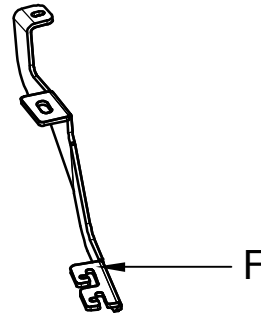
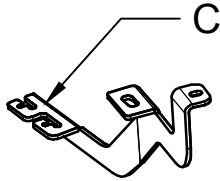
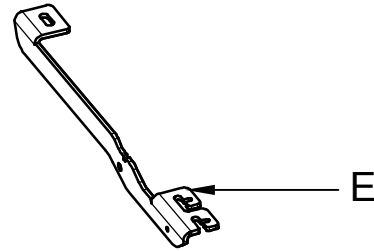
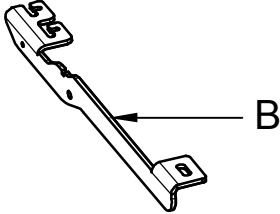
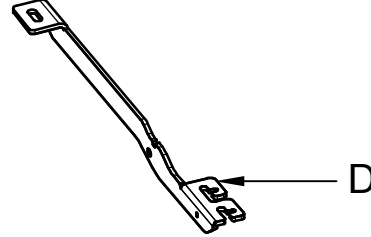
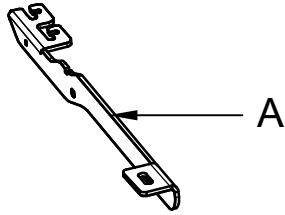


45 Min.

# MONTAJ SETİ / INSTALLATION SET



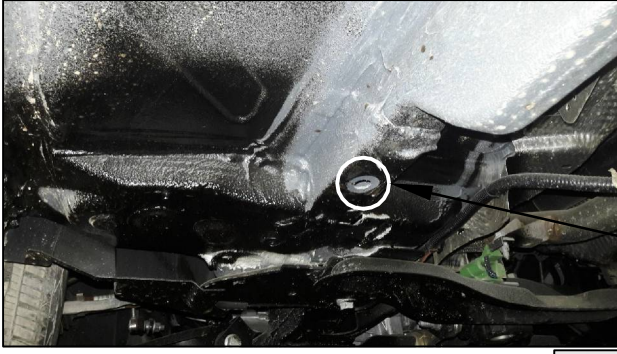
1. ETEK BAĞLANTI SAĞ / SKIRT RING
2. ETEK SIKMA / SKIRTING
3. ETEK BAĞLANTI SOL / SKIRT RING
4. TRAPEZ VİDA / TRAPEZ SCREW
5. M10 LAMALI CİVATA / M10 MOUNTING PLATE
6. M8x20 ANAHTAR BAŞLI CİVATA / M8x20 KEY HEAD BOLT
7. M10 SOMUN / M10 NUT
8. M10 PUL / M10 WASHER
9. M8 SOMUN / M8 NUT
10. M8 PUL / M8 WASHER



## **BRAKETLER / BRACKETS**

- A. 2025BRK R F / SAĞ ÖN BRAKET / RIGHT FRONT BRACKET
- B. 2025BRK R M / SAĞ ORTA BRAKET / RIGHT MIDDLE BRACKET
- C. 2025BRK R R / SAĞ ARKA BRAKET / RIGHT REAR BRACKET
- D. 2025BRK L F / SOL ÖN BRAKET / LEFT FRONT BRACKET
- E. 2025BRK L M / SOL ORTA BRAKET / LEFT MIDDLE BRACKET
- F. 2025BRK L R / SOL ARKA BRAKET / LEFT REAR BRACKET

Fig. 1



ARAÇ ÜZERİNDEKİ TAPAYI SÖKÜNÜZ

PLEASE REMOVE THE STOPPER THAT  
ALREADY ATTACHED ON THE VEHICLE



LF

Fig. 5



ARAÇ ÜZERİNDEKİ TAPAYI SÖKÜNÜZ

PLEASE REMOVE THE STOPPER THAT  
ALREADY ATTACHED ON THE VEHICLE



LM

Fig. 3



4

4 NUMARALI PARÇAYI YERİNE TAKINIZ

PLEASE ATTACH THE PART (PART NO 4)  
TO THE PLACE SHOWN ABOVE



LF

Fig. 6



5

5 NUMARALI PARÇAYI YERİNE TAKINIZ

PLEASE ATTACH THE PART (PART NO 5)  
TO THE PLACE SHOWN ABOVE



LM

Fig. 3



BRAKETİ CİVATALAR İLE MONTAJLAYINIZ

INSTALL THE BRACKET WITH BOLTS



LF

Fig. 7



BRAKETİ CİVATALAR İLE MONTAJLAYINIZ

INSTALL THE BRACKET WITH BOLTS



LM

Fig. 4



BRAKETİ CİVATALAR İLE MONTAJLAYINIZ

INSTALL THE BRACKET WITH BOLTS



LF

Fig. 8



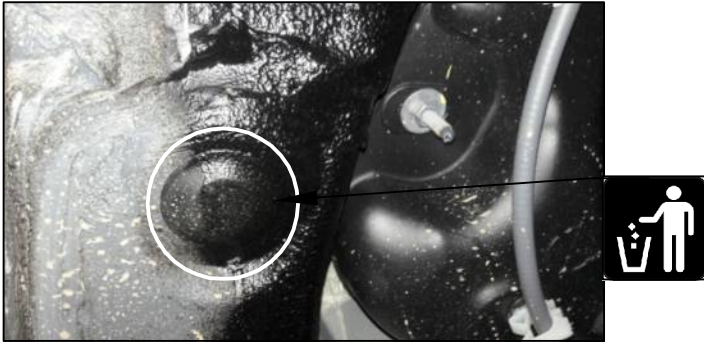
ÜRÜNÜ MONTAJLAYINIZ

PLEASE INSTALL THE PRODUCT



LM

Fig. 9



ARAÇ ÜZERİNDEKİ TAPAYI SÖKÜNÜZ

PLEASE REMOVE THE STOPPER THAT  
ALREADY ATTACHED ON THE VEHICLE



LR

Fig. 1



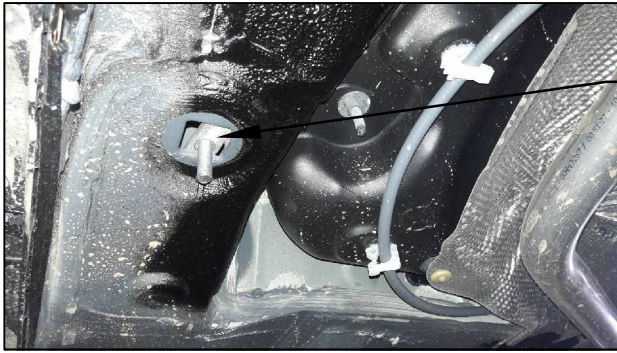
BRAKETİ CİVATALAR İLE MONTAJLAYINIZ

INSTALL THE BRACKET WITH BOLTS



LR

Fig. 10



5 NUMARALI PARÇAYI YERINE TAKINIZ

PLEASE ATTACH THE PART (PART NO 5)  
TO THE PLACE SHOWN ABOVE



LR

Fig. 11



BRAKETİ CİVATALAR İLE MONTAJLAYINIZ

INSTALL THE BRACKET WITH BOLTS



LR

## MONTAJ ŞEMASI / INSTALLATION SCHEME

