

# DACIA DUSTER 2008-2017

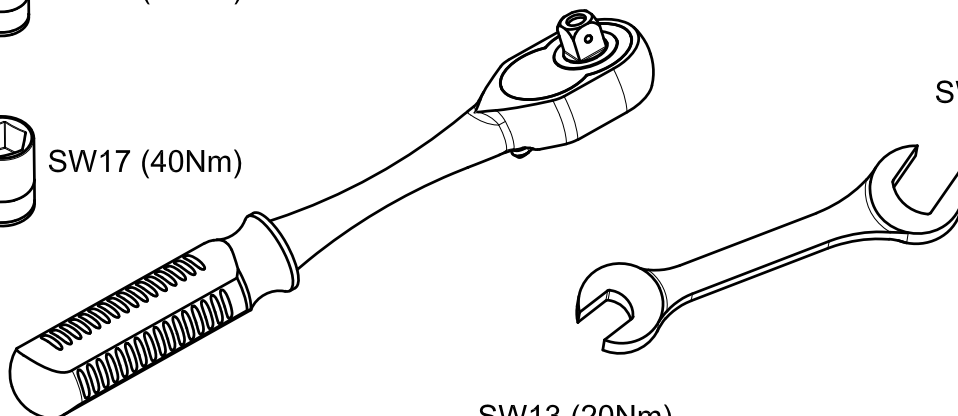
KOD / CODE : 2020BRK173



SW13 (20Nm)

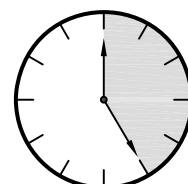


SW17 (40Nm)



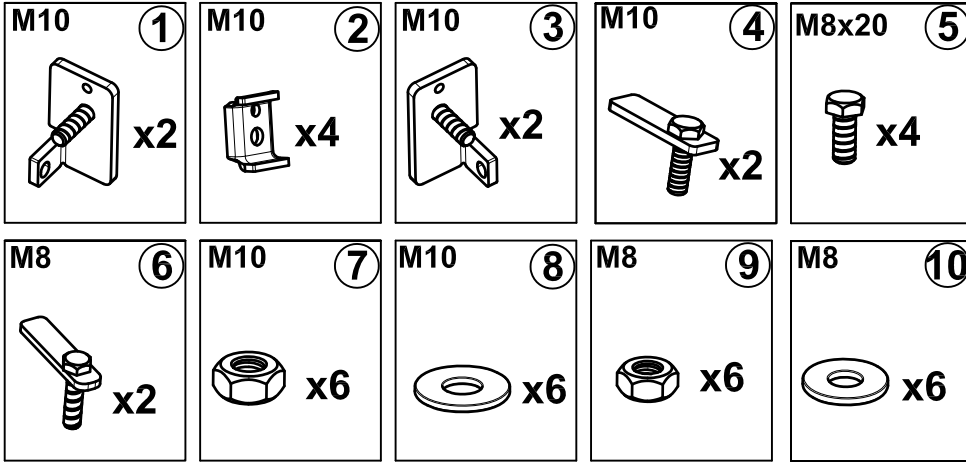
SW17 (40Nm)

SW13 (20Nm)

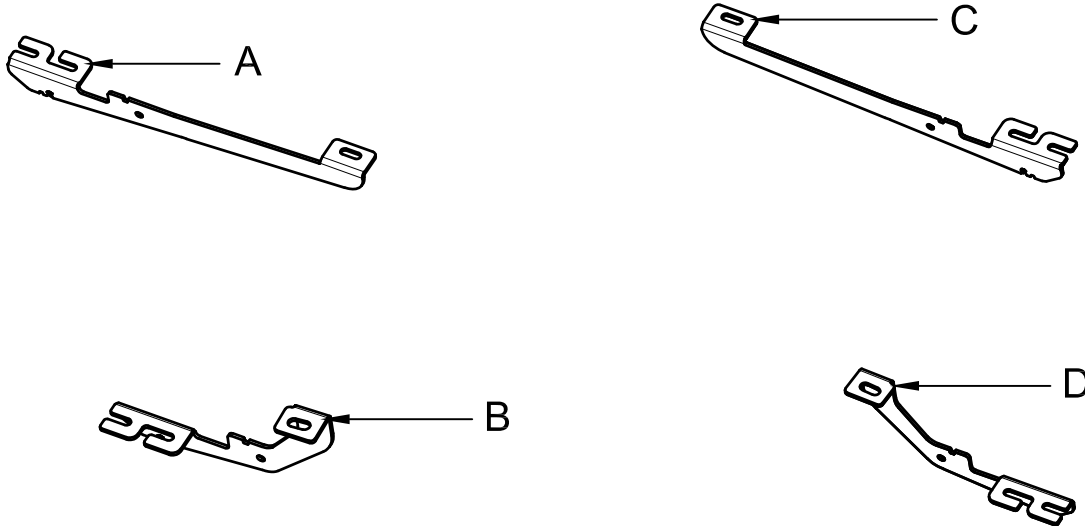


25 DAKIKA

# MONTAJ SETİ / INSTALLATION SET



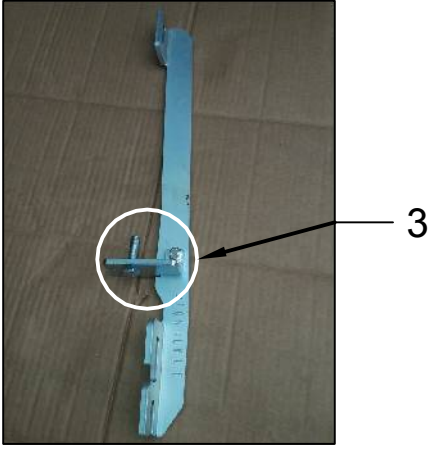
1. ETEK BAĞLANTI SAĞ / *SKIRT RING*
2. ETEK SIKMA / *SKIRTING*
3. ETEK BAĞLANTI SOL / *SKIRT RING*
4. M10 LAMALI CİVATA / *M10 MOUNTING PLATE*
5. M8x20 ANAHTAR BAŞLI CİVATA / *M8x20 KEY HEAD BOLT*
6. M8 LAMALI CİVATA / *M8 MOUNTING PLATE*
7. M10 SOMUN / *M10 NUT*
8. M10 PUL / *M10 WASHER*
9. M8 SOMUN / *M8 NUT*
10. M8 PUL / *M8 WASHER*



## **BRAKETLER / BRACKETS**

- A. 2020BRK R F / SAĞ ÖN BRAKET / *RIGHT FRONT BRACKET*  
B. 2020BRK R R / SAĞ ARKA BRAKET / *RIGHT REAR BRACKET*  
C. 2020BRK L F / SOL ÖN BRAKET / *LEFT FRONT BRACKET*  
D. 2020BRK L R / SOL ARKA BRAKET / *LEFT REAR BRACKET*

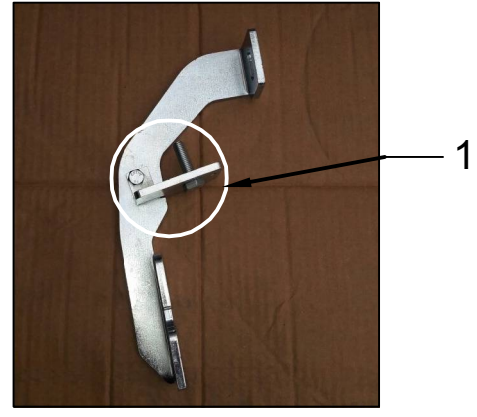
Fig. 1



ETEK BAĞLANTI PARÇASINI( NO 3) BRAKETE TAKINIZ.

PLEASE ATTACH THE PART (PART NO 3) TO THE PLACE SHOWN ABOVE

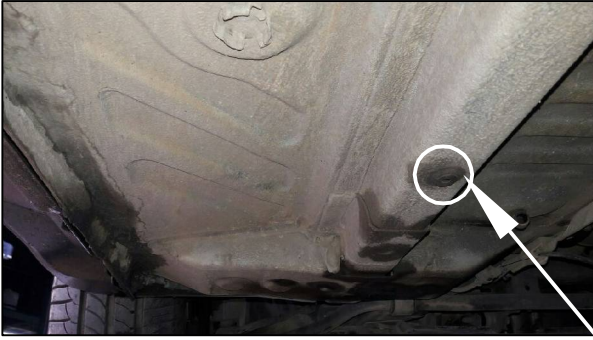
Fig. 5



ETEK BAĞLANTI PARÇASINI( NO 1) BRAKETE TAKINIZ.

PLEASE ATTACH THE PART (PART NO 2) TO THE PLACE SHOWN ABOVE

Fig. 2



LF

ARAÇ ÜZERİNDEKİ TAPAYI SÖKÜNÜZ

PLEASE REMOVE THE STOPPER THAT ALREADY ATTACHED ON THE VEHICLE



Fig. 6



LR

ARAÇ ÜZERİNDEKİ PLASTİK MUHAFAFAYI SÖKÜNÜZ

PLEASE REMOVE THE STOPPER THAT ALREADY ATTACHED ON THE VEHICLE



Fig. 3

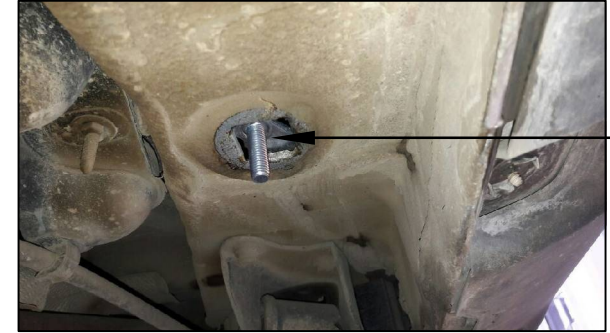


6 NUMARALI PARÇAYI YERİNE TAKINIZ

PLEASE ATTACH THE PART (PART NO 6) TO THE PLACE SHOWN ABOVE



LF



4 NUMARALI PARÇAYI YERİNE TAKINIZ

PLEASE ATTACH THE PART (PART NO 4) TO THE PLACE SHOWN ABOVE



LR

Fig. 4



BRAKETİ CİVATALAR İLE MONTAJLAYINIZ

INSTALL THE BRACKET WITH BOLTS



LF

Fig. 8



BRAKETİ CİVATALAR İLE MONTAJLAYINIZ

INSTALL THE BRACKET WITH BOLTS



LR



## MONTAJ ŞEMASI / INSTALLATION SCHEME

