

# BERLINGO 2019> COMBO 2019>

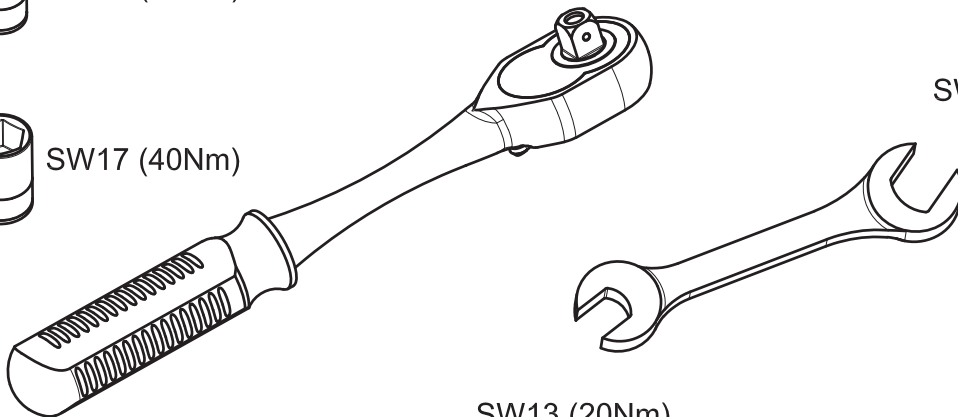
KOD / CODE : 1529BRK203



SW13 (20Nm)

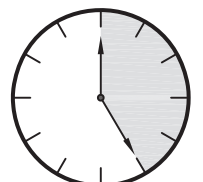


SW17 (40Nm)



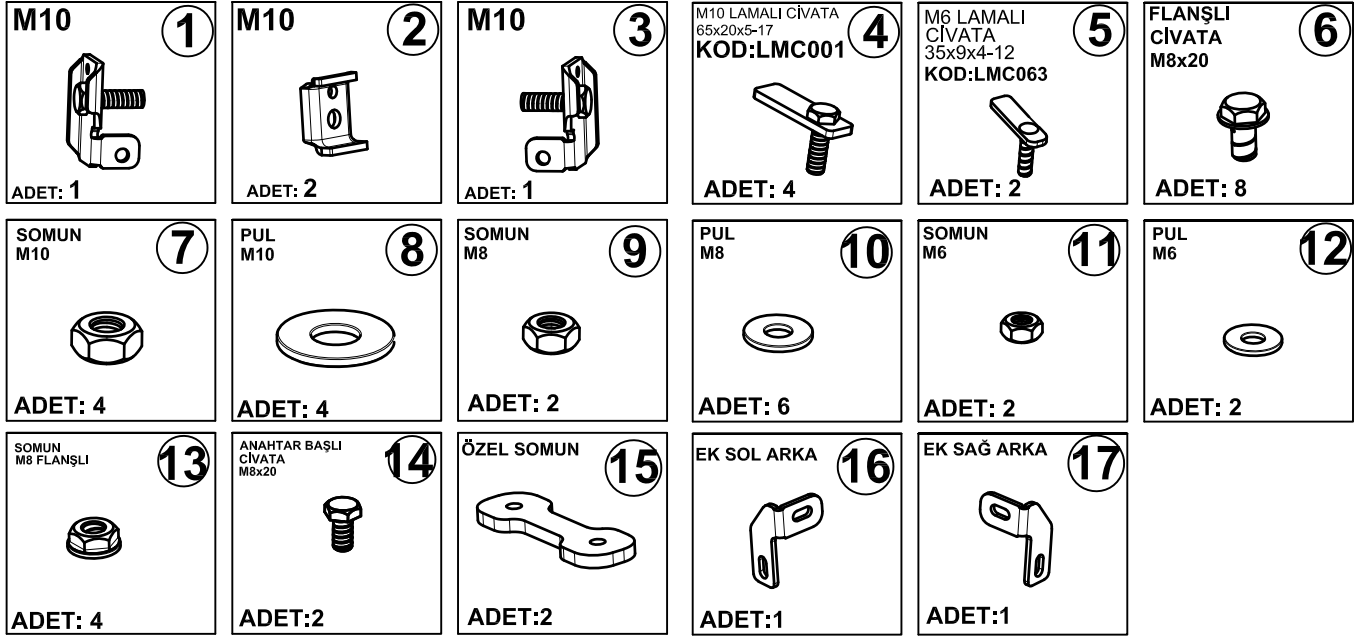
SW17 (40Nm)

SW13 (20Nm)



25 DAKIKA

# MONTAJ SETİ / INSTALLATION SET



1. ETEK BAĞLANTI SAĞ / SKIRT RING
2. ETEK SIKMA / SKIRTING
3. ETEK BAĞLANTI SOL / SKIRT RING
4. M10 LAMALI CİVATA / M10 MOUNTING PLATE
5. M6 LAMALI CİVATA / M6 MOUNTING PLATE
6. M8x20 FLANŞLI CİVATA / M8x20 FLANGED BOLT
7. M10 SOMUN / M10 NUT
8. M10 PUL / M10 WASHER
9. M8 SOMUN / M8 NUT
10. M8 PUL / M8 WASHER
11. M6 SOMUN / M6 NUT
12. M6 PUL / M6 WASHER
13. M8 FLANŞLI SOMUN / M8 FLANGED NUT
14. M8x20 ANAHTAR BAŞLI CİVATA / M8x20 KEY HEAD BOLT
15. M8 ÖZEL SOMUN / M8 SPECIAL NUT
16. EK SOL ARKA / ADDITIONAL LEFT REAR
17. EK SAĞ ARKA / ADDITIONAL RIGHT REAR

## BRAKETLER / BRACKETS

- A. 1529BRK R F / SAĞ ÖN BRAKET / RIGHT FRONT BRACKET
- B. 1529BRK R M / SAĞ ORTA BRAKET / RIGHT MIDDLE BRACKET
- C. 1529BRK R R / SAĞ ARKA BRAKET / RIGHT REAR BRACKET
- D. 1529BRK L F / SOL ÖN BRAKET / LEFT FRONT BRACKET
- E. 1529BRK L M / SOL ORTA BRAKET / LEFT MIDDLE BRACKET
- F. 1529BRK L R / SOL ARKA BRAKET / LEFT REAR BRACKET

Fig. 1



LF



ARAÇ ÜZERİNDEKİ TAPAYI SÖKÜNÜZ

PLEASE REMOVE THE STOPPER THAT  
ALREADY ATTACHED ON THE VEHICLE

Fig. 5

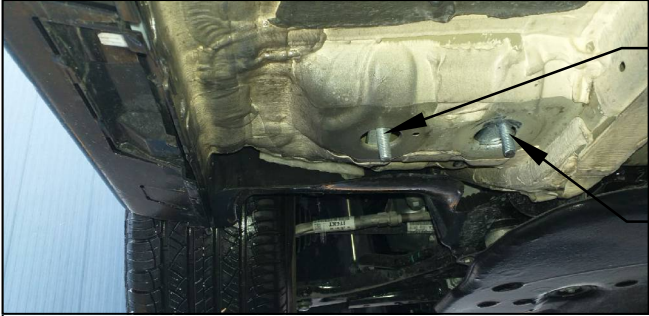


LM

ARAÇ ÜZERİNDEKİ TAPAYI SÖKÜNÜZ

PLEASE REMOVE THE STOPPER THAT  
ALREADY ATTACHED ON THE VEHICLE

Fig. 2



1

1

1 NUMARALI PARÇAYI YERİNE TAKINIZ

PLEASE ATTACH THE PART (PART NO 1)  
TO THE PLACE SHOWN ABOVE

LF

Fig. 6



5

5 NUMARALI PARÇAYI YERİNE TAKINIZ

PLEASE ATTACH THE PART (PART NO 5)  
TO THE PLACE SHOWN ABOVE

LM

Fig. 3



BRAKETİ CİVATALAR İLE MONTAJLAYINIZ

INSTALL THE BRACKET WITH BOLTS



LF

Fig. 7



ETEK BAĞLANTI PARÇASINI BRAKETE TAKINIZ

PLEASE ATTACH THE PART (PART NO 1)  
TO THE PLACE SHOWN ABOVE

LM

Fig. 4



BRAKETİ CİVATALAR İLE MONTAJLAYINIZ

INSTALL THE BRACKET WITH BOLTS



LF

Fig. 8



BRAKETİ CİVATALAR İLE MONTAJLAYINIZ

INSTALL BRACKET AND THE ADDITIONAL  
PART AS SHOWN ON PICTURE

LM



Fig. 9

ARAÇ ÜZERİNDEKİ TAPAYI SÖKÜNÜZ  
PLEASE REMOVE THE STOPPER THAT  
ALREADY ATTACHED ON THE VEHICLE



LR



Fig. 1'

BRAKETİ CİVATALAR İLE MONTAJLAYINIZ  
INSTALL BRACKET AND THE ADDITIONAL  
PART AS SHOWN ON PICTURE



LR



Fig. 10

15 NUMARALI PARÇAYI YERİNE TAKINIZ  
PLEASE ATTACH THE PART (PART NO 15)  
TO THE PLACE SHOWN ABOVE



LR



Fig. 1

ÜRÜNÜ MONTAJLAYINIZ

PLEASE INSTALL THE PRODUCT

## MONTAJ ŞEMASI / INSTALLATION SCHEME

