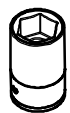


BMW X-5 2010>

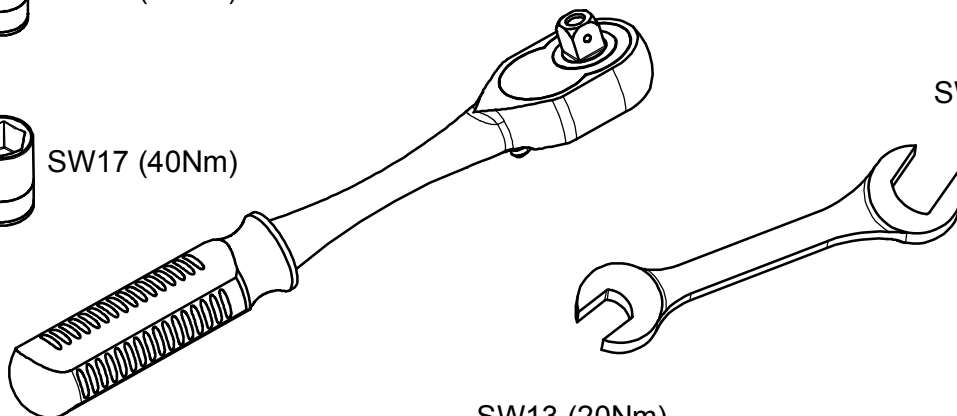
KOD / CODE : 1206BLY101



SW13 (20Nm)

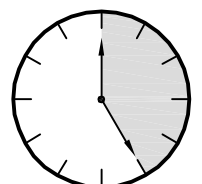


SW17 (40Nm)



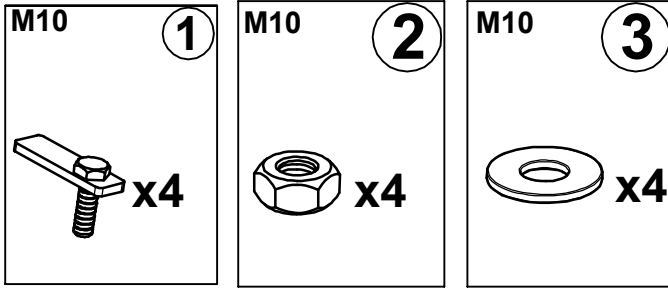
SW17 (40Nm)

SW13 (20Nm)



25 DAKİKA

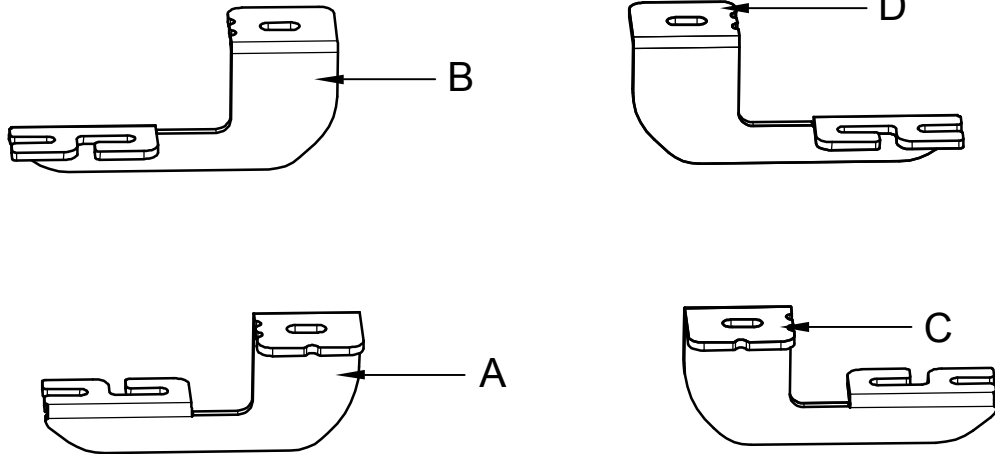
MONTAJ SETİ / INSTALLATION SET



1. M10 LAMALI CİVATA / M10 MOUNTING PLATE

2. M10 SOMUN / M10 NUT

3. M10 PUL / M10 WASHER



BRAKETLER / BRACKETS

A. 1206BRK R F / SAĞ ÖN BRAKET / RIGHT FRONT BRACKET

B. 1206BRK R R / SAĞ ARKA BRAKET / RIGHT REAR BRACKET

C. 1206BRK L F / SOL ÖN BRAKET / LEFT FRONT BRACKET

D. 1206BRK L R / SOL ARKA BRAKET / LEFT REAR BRACKET

Fig. 1



LF



ARAÇ ÜZERİNDEKİ TAPAYI SÖKÜNÜZ
PLEASE REMOVE THE STOPPER THAT ALREADY
ATTACHED ON THE VEHICLE

Fig. 5



LR



ARAÇ ÜZERİNDEKİ TAPAYI SÖKÜNÜZ
PLEASE REMOVE THE STOPPER THAT ALREADY
ATTACHED ON THE VEHICLE

Fig. 2



ARAÇ ÜZERİNDEKİ TAPAYI SÖKÜNÜZ

PLEASE REMOVE THE STOPPER THAT ALREADY
ATTACHED ON THE VEHICLE

Fig. 6



1 NUMARALI PARÇAYI YERİNE TAKINIZ

PLEASE ATTACH THE PART (PART NO 1) TO THE PLACE
SHOWN ABOVE

Fig. 3



1

1 NUMARALI PARÇAYI YERİNE TAKINIZ

PLEASE ATTACH THE PART (PART NO 1) TO THE PLACE
SHOWN ABOVE

Fig. 7



BRAKETİ CİVATALAR İLE MONTAJLAYINIZ

INSTALL THE BRACKET WITH BOLTS

Fig. 4



BRAKETİ CİVATALAR İLE MONTAJLAYINIZ
INSTALL THE BRACKET WITH BOLTS

Fig. 8



ÜRÜNÜ MONTAJLAYINIZ

PLEASE INSTALL THE PRODUCT



01.11.2008

MONTAJ ŞEMASI / INSTALLATION SCHEME

